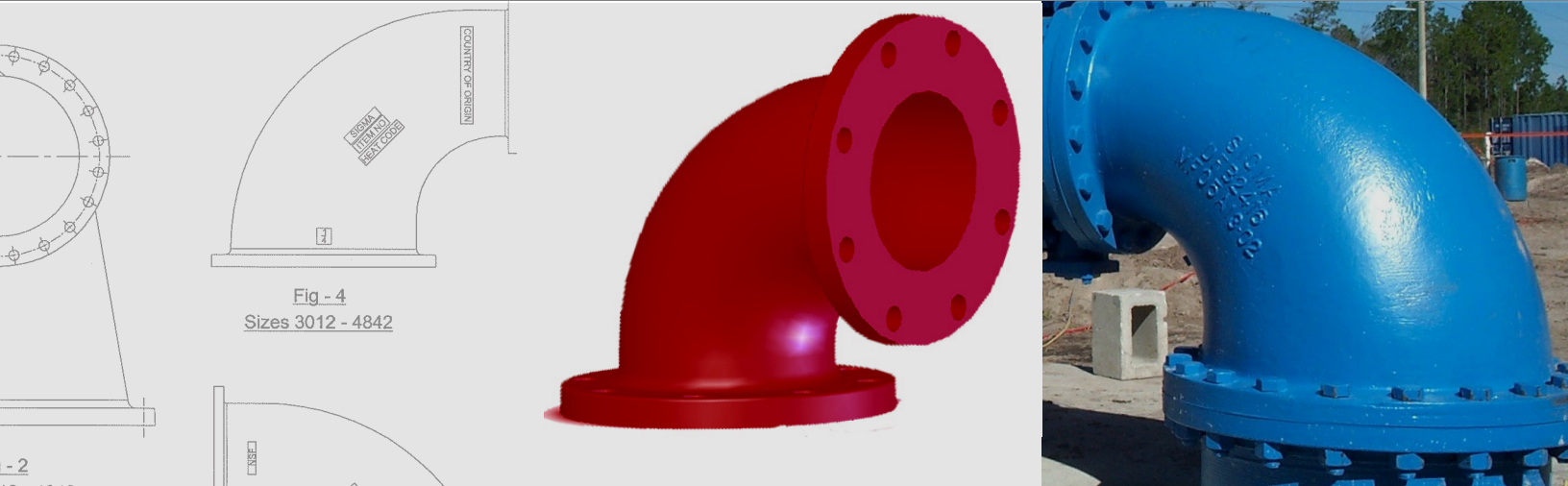


# C110 Flanged Fittings



## 2-64in C110 CAST IRON/DUCTILE IRON FLANGED FITTINGS BASIC SPECIFICATIONS

<b>MATERIAL:</b>	Ductile Iron ASTM A536 Grade 60-42-10, 65-45-12 or 70-50-05.
<b>PRESSURE:</b>	250 PSI Water Working Pressure for Cast Iron sizes 2" - 12" 250 PSI Water Working Pressure for Ductile Iron sizes 2" - 48" 150 PSI Water Working Pressure for Ductile Iron sizes 54" - 64" 150 PSI Water Working Pressure for Cast Iron sizes 14" - 54"
<b>TESTING:</b>	In accordance with ANSI / AWWA C110 / A21.10 where applicable. Other items are in accordance with manufacturer's standards. 54" and above Flanged Fittings are manufactured as per AWWA C153/A21.53
<b>LAYING LENGTH:</b>	In accordance with ANSI / AWWA C110 / A21.10 where applicable. Other items are in accordance with manufacturer's standards. 54" and above Flanged Fittings are manufactured as per AWWA C153/A21.53
<b>CEMENT LINING:</b>	In accordance with ANSI / AWWA C104 / A21.4
<b>COATING:</b>	Tar coated (bituminous) inside in accordance with ANSI / AWWA C104 / A21.04 Red Primer Outside. For special conditions, other types of coatings and linings are available. Please specify when ordering.
<b>APPROVALS:</b>	2"-16" Underwriters Laboratories listed and Factory Mutual Approved.
<b>STANDARDS:</b>	ANSI / AWWA C110 / A21.10 Where applicable. Other items are in accordance with manufacturer's standards. 54" and above Flanged Fittings are manufactured as per AWWA C153/A21.53

*Note: call for Cast Iron Fittings*



# Flanged Fittings

## INDEX

### BENDS

90° Bends .....	3
45° Bends .....	3
22 1/2° Bends .....	3
11 1/4° Bends .....	4
90° Reducing Bends .....	4-5
90° Long Radius Bends .....	5
45° Long Radius Reducing Bends .....	5
90° Long Radius Reducing Bends .....	6
90° Long Radius Base Bends .....	7
90° Base Bends .....	7
Reducing Base Bends .....	7
90° Side Outlet Bend .....	8

### TEES

Tees & Crosses .....	8
Reducing on Run Tees .....	8
Reducing Tees .....	9-10
Reducing Tees .....	11
Base Tees .....	12
Reducing Base Tees .....	12-13

### CROSSES

Reducing Crosses .....	10-11
Reducing Cross .....	12

### WYES

45° Lateral Wyes .....	13
45° Lateral Reducing Wyes .....	14-15
True Wyes .....	16

### REDUCERS

Concentric Reducers .....	15
Eccentric Reducers .....	16

### BLIND FLANGES - Solid and Tapped ..... 17 |

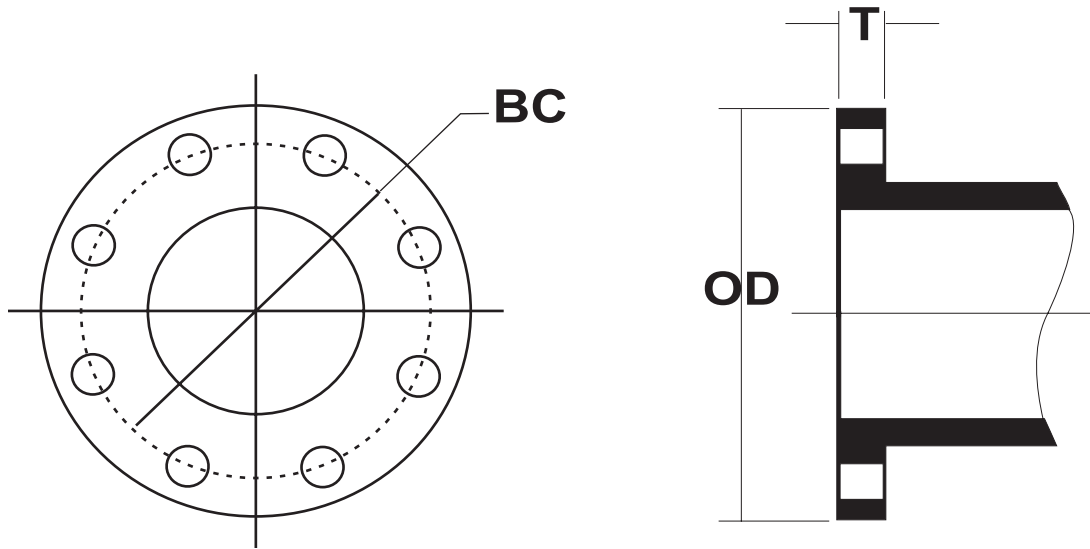
Threaded Flanges .....	18
------------------------	----

SLUDGE SHOES .....	18
--------------------	----

### FLARES

Straight Flare Pieces .....	18
90° Flare Bends .....	18
90° Flare Long Radius Bends .....	18





Size	OD	BC	T	Hole Dia.	Bolt Size	No. Bolts
2	6.00	4.75	0.62	0.75	5/8 x 2 1/2	4
3	7.50	6.00	0.75	0.75	5/8 x 2 1/2	4
4	9.00	7.50	0.94	0.75	5/8 x 3	8
5	10.00	8.50	0.94	0.88	3/4 x 3	8
6	11.00	9.50	1.00	0.88	3/4 x 3 1/2	8
8	13.50	11.75	1.12	0.88	3/4 x 3 1/2	8
10	16.00	14.25	1.19	1.00	7/8 x 4	12
12	19.00	17.00	1.25	1.00	7/8 x 4	12
14	21.00	18.75	1.38	1.12	1 x 4 1/2	12
16	23.50	21.25	1.44	1.12	1 x 4 1/2	16
18	25.00	22.75	1.56	1.25	1 1/8 x 5	16
20	27.50	25.00	1.69	1.25	1 1/8 x 5	20
24	32.00	29.50	1.88	1.37	1 1/4 x 5 1/2	20
30	38.75	36.00	2.12	1.37	1 1/4 x 6 1/2	28
36	46.00	42.75	2.38	1.62	1 1/2 x 7	32
42	53.00	49.50	2.62	1.62	1 1/2 x 7 1/2	36
48	59.50	56.00	2.75	1.62	1 1/2 x 8	44
54	66.25	62.75	3.00	2.00	1 3/4 x 8 1/2	44
60	73.00	69.25	3.12	2.00	1 3/4 x 9	52
64*	80.00	76.00	3.38	2.00	1 3/4 x 9	52

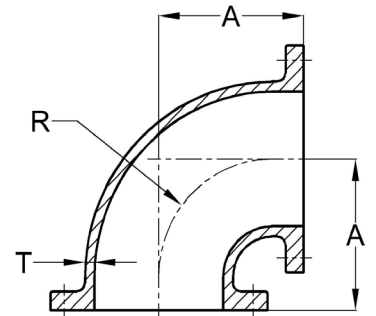
\* Contact SIGMA for available fittings.



# Flanged Fittings

## BENDS, 1/4 90°

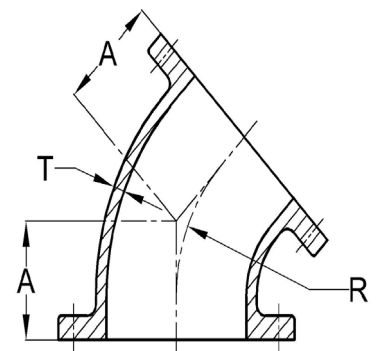
Size	Wt.	DUCTILE IRON Item No.	A	R	T
2	16	DFB290	4.50	3.00	0.31
2.5		DFB2.590	5.00	3.50	0.31
3	25	DFB390	5.50	4.00	0.48
4	45	DFB490	6.50	4.50	0.52
5	52	DFB590	7.50	5.50	0.52
6	65	DFB690	8.00	6.00	0.55
8	105	DFB890	9.00	7.00	0.60
10	165	DFB1090	11.00	9.00	0.68
12	235	DFB1290	12.00	10.00	0.75
14	290	DFB1490	14.00	11.50	0.66
16	370	DFB1690	15.00	12.50	0.70
18	450	DFB1890	16.50	14.00	0.75
20	580	DFB2090	18.00	15.50	0.80
24	900	DFB2490	22.00	18.50	0.89
30	1,430	DFB3090	25.00	21.50	1.03
36	2,135	DFB3690	28.00	24.50	1.15
42	3,055	DFB4290	31.00	27.50	1.28
48	4,095	DFB4890	34.00	30.50	1.42
54	6,695	DFB5490	37.00	33.50	1.62
60		DFB6090	43.00	36.50	0.94



FLXFL Bend 90°

## BENDS, 1/8 45°

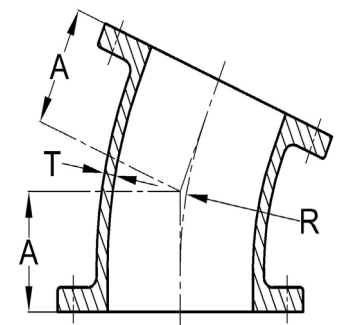
Size	Wt.	DUCTILE IRON Item No.	A	R	T
2	12	DFB245	2.50	2.41	0.31
2.5		DFB2545	3.00	3.62	0.48
3	20	DFB345	3.00	3.62	0.48
4	40	DFB445	4.00	4.81	0.52
5	45	DFB545	4.50	6.04	0.52
6	55	DFB645	5.00	7.25	0.55
8	90	DFB845	5.50	8.44	0.60
10	130	DFB1045	6.50	10.88	0.68
12	195	DFB1245	7.50	13.25	0.75
14	220	DFB1445	7.50	12.06	0.66
16	280	DFB1645	8.00	13.25	0.70
18	325	DFB1845	8.50	14.50	0.75
20	430	DFB2045	9.50	16.88	0.80
24	630	DFB2445	11.00	18.12	0.89
30	1,120	DFB3045	15.00	27.75	1.03
36	1,755	DFB3645	18.00	35.00	1.15
42	2,600	DFB4245	21.00	42.25	1.28
48	3,580	DFB4845	24.00	49.50	1.42
54	5,755	DFB5445	27.00	55.68	1.62



FLXFL Bend 45°

## BENDS, 1/16 22-1/2°

Size	Wt.	DUCTILE IRON Item No.	A	R	T
2	12	DFB222	2.50	6.04	0.31
3	20	DFB322	3.00	7.56	0.48
4	40	DFB422	4.00	10.06	0.52
5	45	DFB522	4.50	10.86	0.52
6	55	DFB622	5.00	15.06	0.55
8	90	DFB822	5.50	17.62	0.60
10	135	DFB1022	6.50	22.62	0.68
12	205	DFB1222	7.50	27.62	0.75
14	225	DFB1422	7.50	25.12	0.66
16	285	DFB1622	8.00	27.62	0.70
18	335	DFB1822	8.50	30.19	0.75
20	435	DFB2022	9.50	35.19	0.80
24	640	DFB2422	11.00	37.69	0.89
30	1,135	DFB3022	15.00	57.81	1.03
36	1,790	DFB3622	18.00	72.88	1.15
42	2,665	DFB4222	21.00	88.00	1.28
48	3,665	DFB4822	24.00	103.06	1.42
54		DFB5422	14.00	50.00	0.90
60		DFB6022	14.00	48.50	0.94



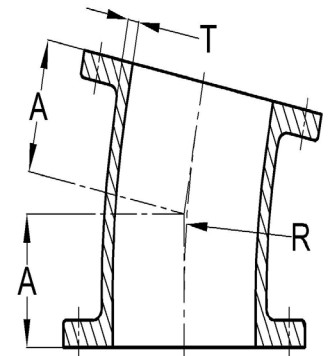
FLXFL Bend 22-1/2°

Note: Cast Iron fittings available upon request  
Weights in Pounds, Less Accessories / Dimensions in inches



**BENDS, 1/32 11-1/4°**

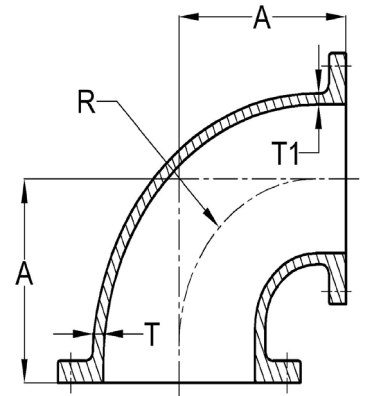
Size	Wt.	DUCTILE IRON Item No.	A	R	T
2	12	DFB211	2.5	12.69	0.31
3	20	DFB311	3.0	15.25	0.48
4	40	DFB411	4.0	20.31	0.52
5	45	DFB511	4.5	22.85	0.52
6	55	DFB611	5.0	30.5	0.55
8	90	DFB811	5.5	35.5	0.60
10	135	DFB1011	6.5	45.69	0.68
12	205	DFB1211	7.5	55.81	0.75
14	225	DFB1411	7.5	50.75	0.66
16	285	DFB1611	8.0	55.81	0.70
18	335	DFB1811	8.5	60.9	0.75
20	435	DFB2011	9.5	71.06	0.80
24	645	DFB2411	11.0	76.12	0.89
30	1,150	DFB3011	15.0	116.75	1.03
36	1,805	DFB3611	18.0	147.25	1.15
42	2,680	DFB4211	21.0	177.69	1.28
48	3,695	DFB4811	24.0	208.12	1.42
60		DFB6011	10.5	62.41	0.94



FLXFL Bend 11-1/4°

**REDUCING 90° BENDS**

Size	Wt.	DUCTILE IRON Item No.	A	R	T	T1
3 x 2	22	DFB32	5.60	4.00	0.48	0.31
3 x 2.5		DFB325	5.50	4.00	0.48	0.31
4 x 2		DFB42	6.50	4.50	0.52	0.31
4 x 3	29	DFB43	6.50	4.50	0.52	0.48
6 x 3	56	DFB63	8.00	6.00	0.55	0.48
6 x 4	55	DFB64	8.00	6.00	0.55	0.52
6 x 5	65	DFB65	8.00	6.00	0.55	0.52
8 x 4	75	DFB84	9.00	7.00	0.60	0.52
8 x 5	80	DFB85	9.00	7.00	0.60	0.52
8 x 6	85	DFB86	9.00	7.00	0.60	0.55
10 x 4	130	DFB104	11.00	9.00	0.68	0.52
10 x 6	135	DFB106	11.00	9.00	0.68	0.55
10 x 8	150	DFB108	11.00	9.00	0.68	0.60
12 x 4	140	DFB124	12.00	10.00	0.75	0.52
12 x 6	160	DFB126	12.00	10.00	0.75	0.55
12 x 8	180	DFB128	12.00	10.00	0.75	0.60
12 x 10	200	DFB1210	12.00	10.00	0.75	0.68
14 x 6	144	DFB146	14.00	11.50	0.66	0.55
14 x 8	215	DFB148	14.00	11.50	0.66	0.60
14 x 10	240	DFB1410	14.00	11.50	0.66	0.68
14 x 12	270	DFB1412	14.00	11.50	0.66	0.75
16 x 6	220	DFB166	15.00	12.50	0.70	0.55
16 x 8	240	DFB168	15.00	12.50	0.70	0.60
16 x 10	280	DFB1610	15.00	12.50	0.70	0.68
16 x 12	310	DFB1612	15.00	12.50	0.70	0.75
16 x 14	335	DFB1614	15.00	12.50	0.70	0.66
18 x 6	260	DFB186	16.50	14.00	0.75	0.55
18 x 8	330	DFB188	16.50	14.00	0.75	0.60
18 x 10	330	DFB1810	16.50	14.00	0.75	0.68
18 x 12	350	DFB1812	16.50	14.00	0.75	0.75
18 x 14	385	DFB1814	16.50	14.00	0.75	0.66
18 x 16	420	DFB1816	16.50	14.00	0.75	0.70
20 x 6	320	DFB206	18.00	15.50	0.80	0.55
20 x 8	345	DFB208	18.00	15.50	0.80	0.60
20 x 10	445	DFB2010	18.00	15.50	0.80	0.68
20 x 12	415	DFB2012	18.00	15.50	0.80	0.75
20 x 14	455	DFB2014	18.00	15.50	0.80	0.66
20 x 16	495	DFB2016	18.00	15.50	0.80	0.70
20 x 18	525	DFB2018	18.00	15.50	0.80	0.75



Reducing Bend 90°

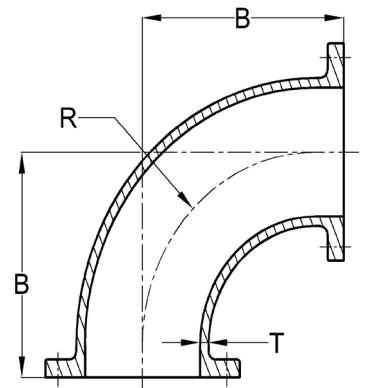


Note: Cast Iron fittings available upon request  
Weights in Pounds, Less Accessories / Dimensions in inches

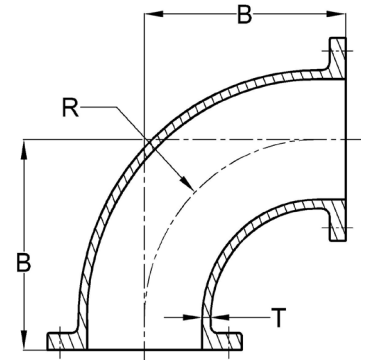
# Flanged Fittings

## REDUCING 90° BENDS (continued)

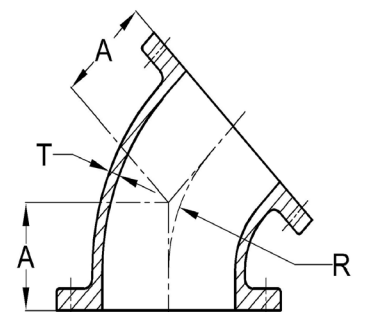
Size	Wt.	DUCTILE IRON Item No.	A	R	T	T1
24 x 6	480	DFB246	22.00	18.50	0.89	0.55
24 x 8	505	DFB248	22.00	18.50	0.89	0.60
24 x 10	545	DFB2410	22.00	18.50	0.89	0.68
24 x 12	575	DFB2412	22.00	18.50	0.89	0.75
24x 14	635	DFB2414	22.00	18.50	0.89	0.66
24 x 16	685	DFB2416	22.00	18.50	0.89	0.70
24 x 18	675	DFB2418	22.00	18.50	0.89	0.75
24 x 20	740	DFB2420	22.00	18.50	0.89	0.80
30 x 12	840	DFB3012	25.00	21.50	1.03	0.75
30 x 14	1,090	DFB3014	25.00	21.50	1.03	0.66
30 x 16	900	DFB3016	25.00	21.50	1.03	0.70
30 x 18	980	DFB3018	25.00	21.50	1.03	0.75
30 x 20	1,070	DFB3020	25.00	21.50	1.03	0.80
30 x 24	1,205	DFB3024	25.00	21.50	1.03	0.89
36 x 12	1,195	DFB3612	28.00	24.50	1.15	0.75
36 x 14	1,215	DFB3614	28.00	24.50	1.15	0.66
36 x 16	1,255	DFB3616	28.00	24.50	1.15	0.70
36 x 18	1,295	DFB3618	28.00	24.50	1.15	0.75
36 x 20	1,360	DFB3620	28.00	24.50	1.15	0.80
36 x 24	1,520	DFB3624	28.00	24.50	1.15	0.89
36 x 30	1,785	DFB3630	28.00	24.50	1.15	1.03
42 x 12	1,655	DFB4212	31.00	27.50	1.28	0.75
42 x 14	1,675	DFB4214	31.00	27.50	1.28	0.66
42 x 16	1,715	DFB4216	31.00	27.50	1.28	0.70
42 x 18	1,755	DFB4218	31.00	27.50	1.28	0.75
42 x 20	1,895	DFB4220	31.00	27.50	1.28	0.80
42 x 24	1,980	DFB4224	31.00	27.50	1.28	0.89
42 x 30	2,345	DFB4230	31.00	27.50	1.28	1.03
42 x 36	3,390	DFB4236	31.00	27.50	1.28	1.15
48 x 12	2,175	DFB4812	34.00	30.50	1.42	0.75
48 x 14	2,195	DFB4814	34.00	30.50	1.42	0.66
48 x 16	2,235	DFB4816	34.00	30.50	1.42	0.70
48 x 18	2,275	DFB4818	34.00	30.50	1.42	0.75
48 x 20	2,340	DFB4820	34.00	30.50	1.42	0.80
48 x 24	3,240	DFB4824	34.00	30.50	1.42	0.89
48 x 30	3,600	DFB4830	34.00	30.50	1.42	1.03
48 x 36	3,255	DFB4836	34.00	30.50	1.42	1.15
48 x 42	4,685	DFB4842	34.00	30.50	1.42	1.28
54 x 48		DFB5448	39.00	33.50	0.90	0.94



Reducing Bend 90°



Long Radius Bend 90°



Long Radius Reducing Bend 45°

## LONG RADIUS BENDS 90°

Size	Wt.	DUCTILE IRON Item No.	B	R	T
2	20	DFL290	6.50		0.31
3	30	DFL390	7.75		0.48
4	50	DFL490	9.00	7.00	0.52
5	65	DFL590	10.25		0.52
6	80	DFL690	11.50	9.50	0.55
8	140	DFL890	14.00	12.00	0.60
10	215	DFL1090	16.50	14.50	0.68
12	325	DFL1290	19.00	17.00	0.75
14	385	DFL1490	21.50	19.00	0.66
16	505	DFL1690	24.00	21.50	0.70
18	630	DFL1890	26.50	24.00	0.75
20	810	DFL2090	29.00	26.50	0.80
24	1,240	DFL2490	34.00	30.50	0.89
30	2,105	DFL3090	41.50	38.00	1.03
36	3,285	DFL3690	49.00	45.50	1.15
42	4,865	DFL4290	56.50	53.00	1.28
48	6,790	DFL4890	64.00	60.50	1.42

## LONG RADIUS REDUCING BEND 45°

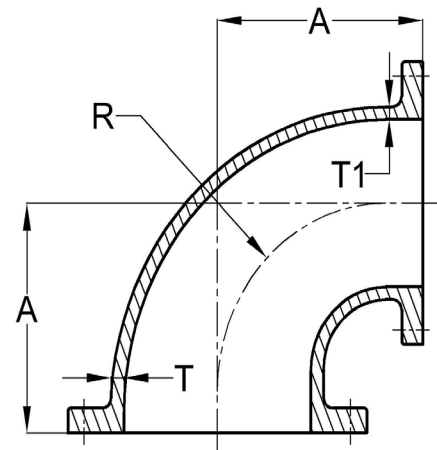
Size	Wt.	Item No.	A	R	T
3		DFL345	5.25	7.85	0.48
4		DFL445	6.50	9.66	0.52
6		DFL645	8.50	13.28	0.55
8		DFL845	10.50	18.11	0.60
10		DFL1045	12.00	21.73	0.68
12		DFL1245	14.50	27.76	0.75

Note: Cast Iron fittings available upon request  
Weights in Pounds, Less Accessories / Dimensions in inches



**LONG RADIUS REDUCING BEND 90°**

Size	Wt.	Item No.	A	R	T	T1
4 x 3		DFL43	9.00	7.00	0.52	0.48
6 x 3		DFL63	11.50	9.50	0.55	0.48
6 x 4		DFL64	11.50	9.50	0.55	0.52
8 x 4		DFL84	14.00	12.00	0.60	0.52
8 x 6		DFL86	14.00	12.00	0.60	0.55
10 x 4		DFL104	16.50	14.50	0.68	0.52
10 x 6		DFL106	16.50	14.50	0.68	0.55
10 x 8		DFL108	16.50	14.50	0.68	0.60
12 x 6		DFL126	19.00	17.00	0.75	0.55
12 x 8		DFL128	19.00	17.00	0.75	0.60
12 x 10		DFL1210	19.00	17.00	0.75	0.68
14 x 6		DFL146	21.50	19.00	0.66	0.55
14 x 8		DFL148	21.50	19.00	0.66	0.60
14 x 10		DFL1410	21.50	19.00	0.66	0.68
14 x 12		DFL1412	21.50	19.00	0.66	0.75
16 x 6		DFL166	24.00	21.50	0.70	0.55
16 x 8		DFL168	24.00	21.50	0.70	0.60
16 x 10		DFL1610	24.00	21.50	0.70	0.68
16 x 12		DFL1612	24.00	21.50	0.70	0.75
16 x 14		DFL1614	24.00	21.50	0.70	0.66
18 x 6		DFL186	26.50	24.00	0.75	0.55
18 x 8		DFL188	26.50	24.00	0.75	0.60
18 x 10		DFL1810	26.50	24.00	0.75	0.68
18 x 12		DFL1812	26.50	24.00	0.75	0.75
18 x 14		DFL1814	26.50	24.00	0.75	0.66
18 x 16		DFL1816	26.50	24.00	0.75	0.70
20 x 6		DFL206	29.00	26.50	0.80	0.55
20 x 8		DFL208	29.00	26.50	0.80	0.60
20 x 10		DFL2010	29.00	26.50	0.80	0.68
20 x 12		DFL2012	29.00	26.50	0.80	0.75
20 x 14		DFL2014	29.00	26.50	0.80	0.66
20 x 16		DFL2016	29.00	26.50	0.80	0.70
20 x 18		DFL2018	29.00	26.50	0.80	0.75
24 x 6		DFL246	34.00	30.50	0.89	0.55
24 x 8		DFL248	34.00	30.50	0.89	0.60
24 x 10		DFL2410	34.00	30.50	0.89	0.68
24 x 12		DFL2412	34.00	30.50	0.89	0.75
24 x 14		DFL2414	34.00	30.50	0.89	0.66
24 x 16		DFL2416	34.00	30.50	0.89	0.70
24 x 18		DFL2418	34.00	30.50	0.89	0.75
24 x 20		DFL2420	34.00	30.50	0.89	0.80
30 x 12		DFL3012	41.50	38.00	1.03	0.75
30 x 14		DFL3014	41.50	38.00	1.03	0.66
30 x 16		DFL3016	41.50	38.00	1.03	0.70
30 x 18		DFL3018	41.50	38.00	1.03	0.75
30 x 20		DFL3020	41.50	38.00	1.03	0.80
30 x 24		DFL3024	41.50	38.00	1.03	0.89
36 x 12		DFL3612	49.00	45.50	1.15	0.75
36 x 14		DFL3614	49.00	45.50	1.15	0.66
36 x 16		DFL3616	49.00	45.50	1.15	0.70
36 x 18		DFL3618	49.00	45.50	1.15	0.75
36 x 20		DFL3620	49.00	45.50	1.15	0.80
36 x 24		DFL3624	49.00	45.50	1.15	0.89
36 x 30		DFL3630	49.00	45.50	1.15	1.03
42 x 12		DFL4212	56.50	53.00	1.28	0.75
42 x 14		DFL4214	56.50	53.00	1.28	0.66
42 x 16		DFL4216	56.50	53.00	1.28	0.70
42 x 18		DFL4218	56.50	53.00	1.28	0.75
42 x 20		DFL4220	56.50	53.00	1.28	0.80
42 x 24		DFL4224	56.50	53.00	1.28	0.89
42 x 30		DFL4230	56.50	53.00	1.28	1.03
42 x 36		DFL4236	56.50	53.00	1.28	1.15
48 x 12		DFL4812	64.00	60.50	1.42	0.75
48 x 14		DFL4814	64.00	60.50	1.42	0.66
48 x 16		DFL4816	64.00	60.50	1.42	0.70
48 x 18		DFL4818	64.00	60.50	1.42	0.75
48 x 20		DFL4820	64.00	60.50	1.42	0.80
48 x 24		DFL4824	64.00	60.50	1.42	0.89
48 x 30		DFL4830	64.00	60.50	1.42	1.03
48 x 36		DFL4836	64.00	60.50	1.42	1.15
48 x 42		DFL4842	64.00	60.50	1.42	1.28



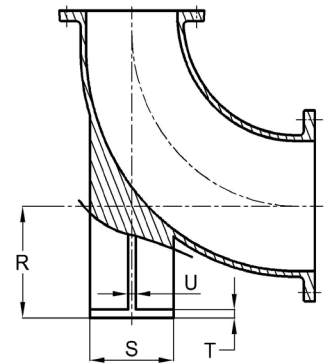
Long Radius Reducing Bend 90°



# Flanged Fittings

## LONG RADIUS BASE BEND 90°

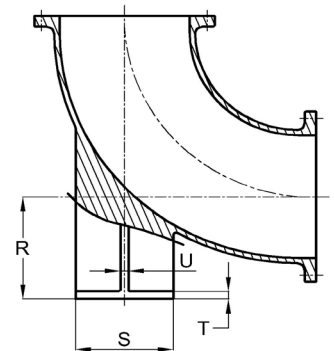
Size	Wt.	Item No.	R	S	T	U
12	420	DFN1290	11.25	11.00	1.00	1.00
20	985	DFN2090	16.00	13.50	1.12	1.12
24	1,430	DFN2490	18.50	13.50	1.12	1.12
24 X 16		DFN2416	18.50	13.50	1.12	1.12
24 x 20		DFN2420	18.50	13.50	1.12	1.12
36 x 30		DFN3630	26.00	19.00	1.25	1.15
48 x 42		DFN4842	34.00	25.00	1.56	1.42



Long Radius Base Bend 90°

## BASE BENDS 90°

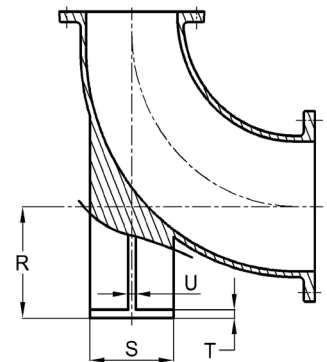
SIZE	DUCTILE IRON Item No.	Weight		R	S	T	U
		Base Bend	Base Only				
3	DFD390	35	10	4.88	5.00	0.56	0.50
4	DFD490	55	10	5.50	6.00	0.62	0.50
6	DFD690	85	20	7.00	7.00	0.69	0.62
8	DFD890	145	40	8.38	9.00	0.94	0.88
10	DFD1090	210	45	9.75	9.00	0.94	0.88
12	DFD1290	300	65	11.25	11.00	1.00	1.00
14	DFD1490	360	70	12.50	11.00	1.00	1.00
16	DFD1690	445	75	13.75	11.00	1.00	1.00
18	DFD1890	565	115	15.00	13.50	1.12	1.12
20	DFD2090	700	120	16.00	13.50	1.12	1.12
24	DFD2490	1,030	130	18.50	13.50	1.12	1.12
30	DFD3090	1,625	190	23.00	16.00	1.19	1.15
36	DFD3690	2,385	250	26.00	19.00	1.25	1.15
42	DFD4290	3,465	410	30.00	23.50	1.44	1.28
48	DFD4890	4,610	515	34.00	25.00	1.56	1.42
60	DFD6090			42.00	32.00	1.88	1.75



Base Bend 90°

## REDUCING BASE BENDS

Size	Item No.	Wt.	R	S	T	U
8 x 6	DFD86	120	8.38	9.00	0.94	0.88
10 x 8	DFD108	195	9.75	9.00	0.94	0.88
12 x 10	DFD1210	285	11.25	11.00	1.00	1.00
14 x 12	DFD1412	390	12.50	11.00	1.00	1.00
16 x 10	DFD1610	355	13.75	11.00	1.00	1.00
16 x 12	DFD1612	385	13.75	11.00	1.00	1.00
16 X 14	DFD1614		13.75	11.00	1.00	1.00
20 x 18	DFD2018	515	16.00	13.50	1.12	1.12
24 x 16	DFD2416	680	16.00	13.50	1.12	1.12
24 x 18	DFD2418	720	16.00	13.50	1.12	1.12
30 x 14	DFD3014	1,280	23.00	16.00	1.19	1.15
30 x 24	DFD3024	1,294	18.50	13.50	1.12	1.12
36 x 24	DFD3624	1,585	18.50	13.50	1.12	1.12



Reducing Base Bend

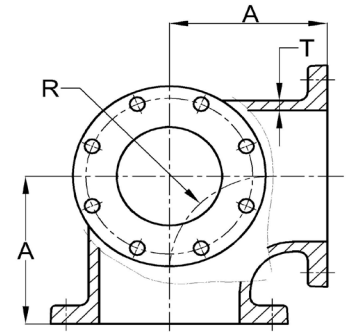
Note: Cast Iron fittings available upon request  
Weights in Pounds, Less Accessories / Dimensions in inches



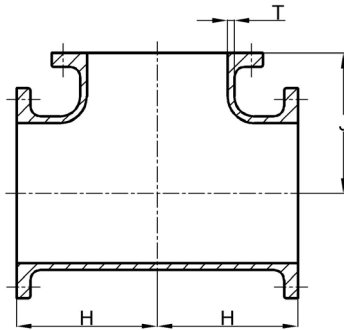


**SIDE OUTLET 90° BEND**

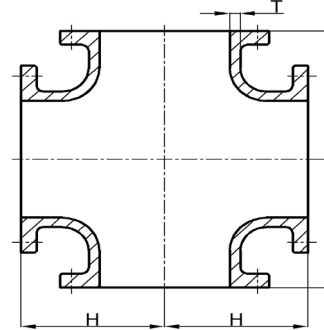
Size	Wt.	Item No.	A	R	T
3		DFO390	5.50	4.00	0.48
4		DFO490	6.50	4.50	0.52
6		DFO690	8.00	6.00	0.55
8		DFO890	9.00	7.00	0.60
10		DFO1090	11.00	9.00	0.68
12		DFO1290	12.00	10.00	0.75
14		DFO1490	14.00	11.50	0.66
16		DFO1690	15.00	12.50	0.70
18		DFO1890	16.50	14.00	0.75
20		DFO2090	18.00	15.50	0.80
24		DFO2490	22.00	18.50	0.89



DFO



DFT



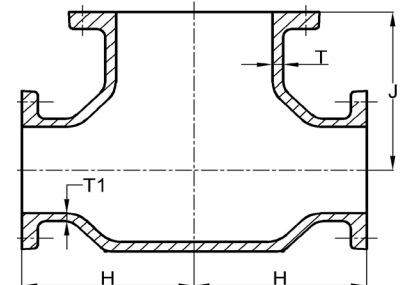
DFC

**TEES & CROSSES**

Size	TEES		Wt.	H	J	T	CROSSES	
	DUCTILE IRON Item No.						DUCTILE IRON Item No.	Wt.
2	DFT22	20	4.50	4.50	0.31	DFC22	30	
3	DFT33	40	5.50	5.50	0.48	DFC33	50	
4	DFT44	65	6.50	6.50	0.52	DFC44	80	
5	DFT55	85	7.50	7.50	0.52	DFC55	105	
6	DFT66	95	8.00	8.00	0.55	DFC66	120	
8	DFT88	155	9.00	9.00	0.60	DFC88	195	
10	DFT1010	270	11.00	11.00	0.80	DFC1010	330	
12	DFT1212	385	12.00	12.00	0.87	DFC1212	460	
14	DFT1414	435	14.00	14.00	0.66	DFC1414	530	
16	DFT1616	550	15.00	15.00	0.70	DFC1616	665	
18	DFT1818	665	16.50	16.50	0.75	DFC1818	795	
20	DFT2020	855	18.00	18.00	0.80	DFC2020	1,015	
24	DFT2424	1,330	22.00	22.00	0.89	DFC2424	1,570	
30	DFT3030	2,150	25.00	25.00	1.03	DFC3030	2,500	
36	DFT3636	3,160	28.00	28.00	1.15	DFC3636	3,620	
42	DFT4242	4,470	31.00	31.00	1.28	DFC4242	5,065	
48	DFT4848	5,900	34.00	34.00	1.42	DFC4848	6,570	
54	DFT5454	8,900	37.00	37.00	1.62	DFC5454		
60	DFT6060		43.00	43.00	1.10			

**BULLHEAD TEES**

Size	DUCTILE IRON	Wt.	H	J	T	T1
4 x 4 x 6	DBT446	90	8.00	8.00	.52	.55
6 x 6 x 8	DBT668	140	9.00	9.00	.55	.60
8 x 8 x 10	DBT810	260	11.00	11.00	.60	.67
10 x 10 x 12	DBT101012	355	12.00	12.00	.80	.87
14 x 14 x 20	DBT141420					
20 x 20 x 30	DBT202030	1737	25.00	25.00	1.03	0.80
24 x 24 x 30	DBT242430		25.00	25.00	1.03	0.89
24 x 24 x 36	DBT242436					
30 x 30 x 42	DBT303042	3588	31.00	31.00	1.28	1.03
30 x 30 x 36	DBT303036					
42 x 42 x 60	DBT424260		44.50	43.00	1.10	0.88



DBT



Note: Cast Iron fittings available upon request

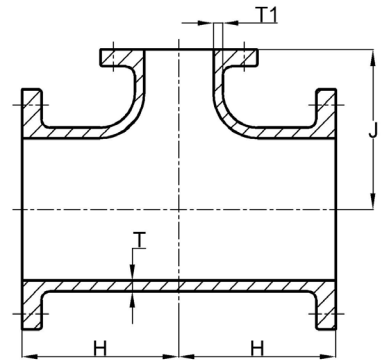
Weights in Pounds, Less Accessories / Dimensions in inches

SIGMA Corporation [www.sigmaco.com](http://www.sigmaco.com) | 9

# Flanged Fittings

## REDUCING TEES

Size	Wt.	DUCTILE IRON Item No.	H	J	T	T1
2 1/2 x 2 1/2	29	DFT2525	5.50	5.50	0.48	0.48
3 x 2	35	DFT32	5.50	6.50	0.48	0.31
4 x 2	50	DFT42	6.50	6.50	0.52	0.31
4 x 2 1/2	55	DFT425	6.50	6.50	0.52	0.31
4 x 3	60	DFT43	6.50	6.50	0.52	0.48
6 x 2	85	DFT62	8.00	8.00	0.55	0.31
6 x 3	85	DFT63	8.00	8.00	0.55	0.48
6 x 4	90	DFT64	8.00	8.00	0.55	0.52
8 x 2			9.00	9.00	0.60	0.31
8 x 3		DFT83	9.00	9.00	0.60	0.48
8 x 4	140	DFT84	9.00	9.00	0.60	0.52
8 x 6	145	DFT86	9.00	9.00	0.60	0.55
10 x 3		DFT103	11.00	11.00	0.68	0.48
10 x 4	205	DFT104	11.00	11.00	0.68	0.52
10 x 6	215	DFT106	11.00	11.00	0.68	0.55
10 x 8	225	DFT108	11.00	11.00	0.68	0.60
12 x 4	290	DFT124	12.00	12.00	0.75	0.52
12 x 6	295	DFT126	12.00	12.00	0.75	0.55
12 x 8	310	DFT128	12.00	12.00	0.75	0.60
12 x 10	360	DFT1210	12.00	12.00	0.87	0.80
14 x 4		DFT144	14.00	14.00	0.66	0.52
14 x 6	375	DFT146	14.00	14.00	0.66	0.55
14 x 8	390	DFT148	14.00	14.00	0.66	0.60
14 x 10	400	DFT1410	14.00	14.00	0.66	0.68
14 x 12	425	DFT1412	14.00	14.00	0.66	0.75
16 x 4		DFT164	15.00	15.00	0.70	0.52
16 x 6	465	DFT166	15.00	15.00	0.70	0.55
16 x 8	475	DFT168	15.00	15.00	0.70	0.60
16 x 10	495	DFT1610	15.00	15.00	0.70	0.68
16 x 12	520	DFT1 612	15.00	15.00	0.70	0.75
16 x 14	530	DFT1614	15.00	15.00	0.70	0.66
18 x 6	480	DFT1 86	13.00	15.50	0.75	0.55
18 x 8	495	DFT188	13.00	15.50	0.75	0.60
18 x 10	510	DFT1810	13.00	15.50	0.75	0.68
18 x 12	535	DFT1812	13.00	15.50	0.75	0.75
18 x 14	630	DFT1814	16.50	16.50	0.75	0.66
18 x 16	650	DFT1816	16.50	16.50	0.75	0.70
20 x 4		DFT204	14.00	17.00	0.80	0.52
20 x 6	610	DFT206	14.00	17.00	0.80	0.55
20 x 8	620	DFT208	14.00	17.00	0.80	0.60
20 x 10	635	DFT2010	14.00	17.00	0.80	0.68
20 x 12	660	DFT2012	14.00	17.00	0.80	0.75
20 x 14	665	DFT2014	14.00	17.00	0.80	0.66
20 x 16	810	DFT2016	18.00	18.00	0.80	0.70
20 x 18	820	DFT2018	18.00	18.00	0.80	0.75
24 X 4		DFT244	15.00	19.00	0.89	0.52
24 x 6	845	DFT246	15.00	19.00	0.89	0.55
24 x 8	860	DFT248	15.00	19.00	0.89	0.60
24 x 10	880	DFT2410	15.00	19.00	0.89	0.68
24 x 12	890	DFT2412	15.00	19.00	0.89	0.75
24 x 14	900	DFT2414	15.00	19.00	0.89	0.66
24 x 16	915	DFT2416	15.00	19.00	0.89	0.70
24 x 18	1,220	DFT2418	22.00	22.00	0.89	0.75
24 x 20	1,255	DFT2420	22.00	22.00	0.89	0.80
30 x 12	1,490	DFT3012	18.00	23.00	1.03	0.75
30 x 14	1,490	DFT3014	18.00	23.00	1.03	0.66
30 x 16	1,505	DFT3016	18.00	23.00	1.03	0.70
30 x 18	1,515	DFT3018	18.00	23.00	1.03	0.75
30 x 20	1,540	DFT3020	18.00	23.00	1.03	0.80
30 x 24	2,025	DFT3024	25.00	25.00	1.03	0.89
36 x 6		DFT366	20.00	26.00	1.15	0.55
36 x 8		DFT368	20.00	26.00	1.15	0.60
36 x 12	2,170	DFT3612	20.00	26.00	1.15	0.75
36 x 14	2,175	DFT3614	20.00	26.00	1.15	0.66
36 x 16	2,185	DFT3616	20.00	26.00	1.15	0.70
36 x 18	2,190	DFT3618	20.00	26.00	1.15	0.75
36 x 20	2,210	DFT3620	20.00	26.00	1.15	0.80
36 x 24	2,255	DFT3624	20.00	26.00	1.15	0.89
36 x 30	3,000	DFT3630	28.00	28.00	1.15	1.03



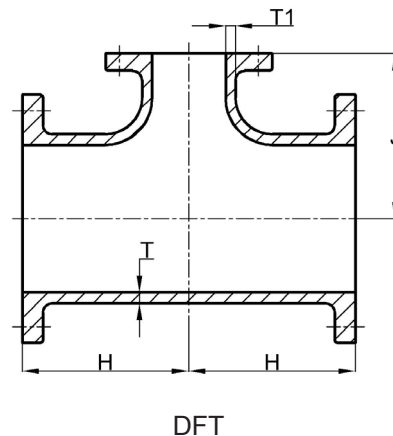
Note: Cast Iron fittings available upon request  
Weights in Pounds, Less Accessories / Dimensions in inches

10 | SIGMA Corporation www.sigmaco.com



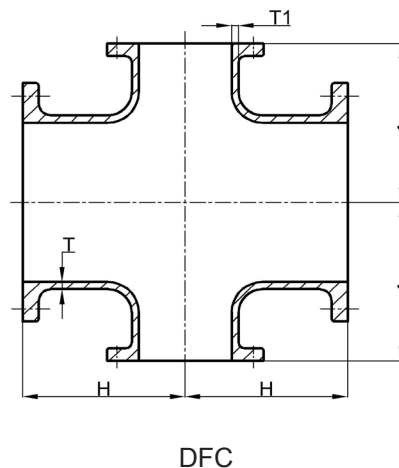
**REDUCING TEES (continued)**

Size	Wt.	DUCTILE IRON Item No.	H	J	T	T1
42 x 10		DFT4210	23.00	30.00	1.28	0.68
42 x 12	3,165	DFT4212	23.00	30.00	1.28	0.75
42 x 14	3,170	DFT4214	23.00	30.00	1.28	0.66
42 x 16	3,180	DFT4216	23.00	30.00	1.28	0.70
42 x 18	3,185	DFT4218	23.00	30.00	1.28	0.75
42 x 20	3,205	DFT4220	23.00	30.00	1.28	0.80
42 x 24	3,245	DFT4224	23.00	30.00	1.28	0.89
42 x 30	4,125	DFT4230	31.00	31.00	1.28	1.03
42 x 36	5,360	DFT4236	31.00	31.00	1.78	1.58
48 x 12	4,315	DFT4812	26.00	34.00	1.42	0.75
48 x 14	4,315	DFT4814	26.00	34.00	1.42	0.66
48 x 16	4,330	DFT4816	26.00	34.00	1.42	0.70
48 x 18	4,330	DFT4818	26.00	34.00	1.42	0.75
48 x 20	4,350	DFT4820	26.00	34.00	1.42	0.80
48 x 24	4,385	DFT4824	26.00	34.00	1.42	0.89
48 x 30	4,455	DFT4830	26.00	34.00	1.42	1.03
48 x 36	5,555	DFT4836	34.00	34.00	1.42	1.15
48 x 42	7,195	DFT4842	34.00	34.00	1.96	1.78
54 x 16		DFT5416	25.00	37.00	1.05	0.50
54 x 24	3,794	DFT5424	26.00	39.00	1.05	0.61
54 x 30		DFT5430	31.00	37.00	1.05	0.72
54 x 36	4,695	DFT5436	31.00	37.00	1.05	0.77
60 x 30		DFT6030	33.00	42.00	1.10	0.72
60 x 36	6,015	DFT6036	33.00	42.00	1.10	0.77
64 x 24		DFT6424	28.00	44.00	1.16	0.61
64 x 36		DFT6436	32.00	44.00	1.16	0.77
60 x 54	6,754	DFT6054	43.00	43.00	1.10	1.05



**REDUCING CROSSES**

Size	Wt.	DUCTILE IRON Item No.	H	J	T	T1
3 x 2	45	DFC32	5.50	6.50	0.48	0.31
4 x 2	60	DFC42	6.50	6.50	0.52	0.31
4 x 2 1/2	65	DFC425	6.50	6.50	0.52	0.31
4 x 3	70	DFC43	6.50	6.50	0.52	0.48
6 x 2	90	DFC62	8.00	8.00	0.55	0.31
6 x 3	95	DFC63	8.00	8.00	0.55	0.48
6 x 4	110	DFC64	8.00	8.00	0.55	0.52
8 x 4	155	DFC84	9.00	9.00	0.60	0.52
8 x 6	165	DFC86	9.00	9.00	0.60	0.55
10 x 4	220	DFC104	11.00	11.00	0.68	0.52
10 x 6	240	DFC106	11.00	11.00	0.68	0.55
10 x 8	265	DFC108	11.00	11.00	0.68	0.60
12 x 4	310	DFC124	12.00	12.00	0.75	0.52
12 x 6	320	DFC126	12.00	12.00	0.75	0.55
12 x 8	345	DFC128	12.00	12.00	0.75	0.60
12 x 10	415	DFC1210	12.00	12.00	0.87	0.80
14 x 6	400	DFC146	14.00	14.00	0.66	0.55
14 x 8	425	DFC148	14.00	14.00	0.66	0.60
14 x 10	460	DFC1410	14.00	14.00	0.66	0.68
14 x 12	505	DFC1412	14.00	14.00	0.66	0.75
16 x 6	490	DFC166	15.00	15.00	0.70	0.55
16 x 8	520	DFC168	15.00	15.00	0.70	0.60
16 x 10	555	DFC1610	15.00	15.00	0.70	0.68
16 x 12	605	DFC1612	15.00	15.00	0.70	0.75
16 x 14	620	DFC1614	15.00	15.00	0.70	0.66
18 x 6	505	DFC186	13.00	15.50	0.75	0.55
18 x 8	535	DFC188	13.00	15.50	0.75	0.60
18 x 10	560	DFC1810	13.00	15.50	0.75	0.68
18 x 12	610	DFC1812	13.00	15.50	0.75	0.75
18 x 14	720	DFC1814	16.50	16.50	0.75	0.66
18 x 16	765	DFC1816	16.50	16.50	0.75	0.70
20 x 6	635	DFC206	14.00	17.00	0.80	0.55
20 x 8	665	DFC208	14.00	17.00	0.80	0.60
20 x 10	685	DFC2010	14.00	17.00	0.80	0.68

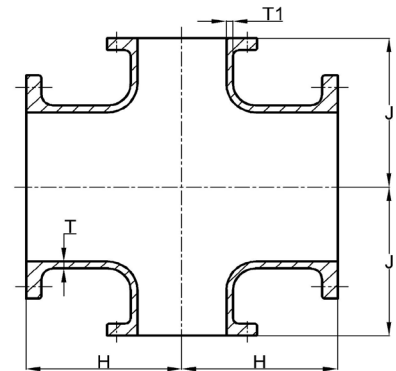


Note: Cast Iron fittings available upon request  
Weights in Pounds, Less Accessories / Dimensions in inches

# Flanged Fittings

## REDUCING CROSSES (continued)

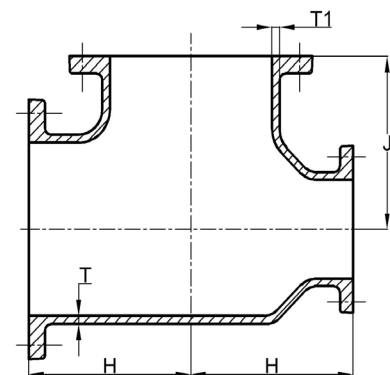
Size	Wt.	DUCTILE IRON Item No.	H	J	T	T1
20 x 12	735	DFC2014	14.00	17.00	0.80	0.75
20 x 14	745	DFC2016	14.00	17.00	0.80	0.66
20 x 16	915	DFC2018	18.00	18.00	0.80	0.70
20 x 18	945	DFC246	18.00	18.00	0.80	0.75
24 x 6	875	DFC248	15.00	19.00	0.89	0.55
24 x 8	895	DFC2410	15.00	19.00	0.89	0.60
24 x 10	930	DFC2412	15.00	19.00	0.89	0.68
24 x 12	960	DFC2414	15.00	19.00	0.89	0.75
24 x 14	975	DFC2416	15.00	19.00	0.89	0.66
24 x 16	1,010	DFC2418	15.00	19.00	0.89	0.70
24 x 18	1,365	DFC2420	22.00	22.00	0.89	0.75
24 x 20	1,430	DFC3012	22.00	22.00	0.89	0.80
30 x 12	1,565	DFC3014	18.00	23.00	1.03	0.75
30 x 14	1,570	DFC3016	18.00	23.00	1.03	0.66
30 x 16	1,605	DFC3018	18.00	23.00	1.03	0.70
30 x 18	1,615	DFC3020	18.00	23.00	1.03	0.75
30 x 20	1,670	DFC3024	18.00	23.00	1.03	0.80
30 x 24	2,245	DFC3612	25.00	25.00	1.03	0.89
36 x 12	2,240	DFC3614	20.00	26.00	1.15	0.75
36 x 14	2,240	DFC3616	20.00	26.00	1.15	0.66
36 x 16	2,270	DFC3618	20.00	26.00	1.15	0.70
36 x 18	2,280	DFC3620	20.00	26.00	1.15	0.75
36 x 20	2,325	DFC3624	20.00	26.00	1.15	0.80
36 x 24	2,405	DFC3630	20.00	26.00	1.15	0.89
36 x 30	3,300	DFC4212	28.00	28.00	1.15	1.03
42 x 12	3,240	DFC4214	23.00	30.00	1.28	0.75
42 x 14	3,240	DFC4216	23.00	30.00	1.28	0.66
42 x 16	3,270	DFC4218	23.00	30.00	1.28	0.70
42 x 18	3,275	DFC4220	23.00	30.00	1.28	0.75
42 x 20	3,320	DFC4224	23.00	30.00	1.28	0.80
42 x 24	3,395	DFC4230	23.00	30.00	1.28	0.89
42 x 30	4,375	DFC4236	31.00	31.00	1.28	1.03
42 x 36	5,720	DFC4812	31.00	31.00	1.78	1.58
48 x 12	4,390	DFC4814	26.00	34.00	1.42	0.75
48 x 14	4,385	DFC4816	26.00	34.00	1.42	0.66
48 x 16	4,415	DFC4818	26.00	34.00	1.42	0.70
48 x 18	4,420	DFC4820	26.00	34.00	1.42	0.75
48 x 20	4,460	DFC4824	26.00	34.00	1.42	0.80
48 x 24	4,535	DFC4830	26.00	34.00	1.42	0.89
48 x 30	4,670	DFC4836	26.00	34.00	1.42	1.03
48 x 36	5,880	DFC4842	34.00	34.00	1.42	1.15
48 x 42	7,630	DFC6048	34.00	34.00	1.96	1.78
60 x 48			43.00	43.00	1.10	0.94



DFC

## REDUCING TEES

Size	Wt.	DUCTILE IRON Item No.	H	J	T	T1
6 x 4 x 4	85	DRT644	8.00	8.00	0.55	0.52
6 x 4 x 6	90	DRT646	8.00	8.00	0.55	0.52
8 x 6 x 4	125	DRT864	9.00	9.00	0.60	0.55
8 x 6 x 6	135	DRT866	9.00	9.00	0.60	0.55
8 x 6 x 8	145	DRT868	9.00	9.00	0.60	0.65
10 x 8 x 10		DRT10810	11.00	11.00	0.68	0.60
12 x 8 x 12		DRT12812	12.00	12.00	0.75	0.60
14 x 8 x 14		DRT14814	14.00	14.00	0.66	0.60
16 x 12 x 12		DRT161212	15.00	15.00	0.70	0.75
18 x 12 x 18		DRT181218	16.50	16.50	0.75	0.75
24 x 16 x 16		DRT241616	17.00	19.00	0.89	0.70
24 x 20 x 20		DRT242020	22.00	22.00	0.89	0.80
24 x 20 x 24		DRT242024	22.00	22.00	0.89	0.80
30 x 20 x 20		DRT302020	25.00	23.00	1.03	0.80
30 x 20 x 24		DRT302024	25.00	25.00	1.03	0.80
30 x 20 x 30		DRT302030	25.00	25.00	1.03	0.80
30 x 24 x 30		DRT302430	25.00	25.00	1.03	0.89



DRT

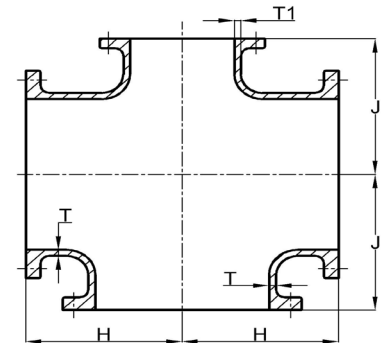
Note: Cast Iron fittings available upon request  
Weights in Pounds, Less Accessories / Dimensions in inches

12 | SIGMA Corporation www.sigmaco.com



**REDUCING CROSS**

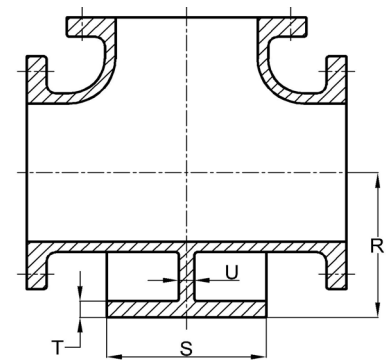
Size	Wt.	Item No.	H	J	T	T1
20x20x20x12		DFC20202012	18.00	18.00	0.80	0.75
30x30x30x24		DFC30303024	25.00	25.00	1.03	0.89
36x36x36x24		DFC36363624	28.00	28.00	1.15	0.89
36x36x36x42		DFC36363642	31.00	31.00	1.78	1.58
36x36x36x48		DFC36363648	34.00	34.00	1.42	1.15



DFC

**BASE TEES**

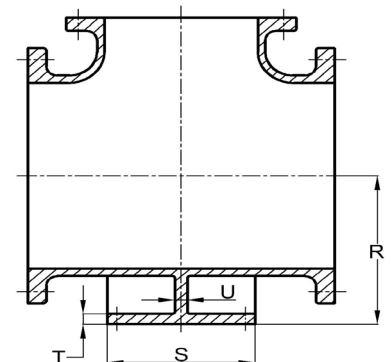
Size	DUCTILE IRON Item No.	WEIGHT		R	S	T	U	Base - Bolt Hole Diam.
		Base Tee	Base Only					
3	DFV33	45	5	4.88	5.00	0.56	0.50	5/8
4	DFV44	75	10	5.50	6.00	0.62	0.50	3/4
6	DFV66	110	15	7.00	7.00	0.69	0.62	3/4
8	DFV88	185	30	8.38	9.00	0.94	0.88	3/4
10	DFV1010	300	30	9.75	9.00	0.94	0.88	3/4
12	DFV1212	430	45	11.25	11.00	1.00	1.00	7/8
14	DFV1414	485	50	12.50	11.00	1.00	1.00	7/8
16	DFV1616	600	50	13.75	11.00	1.00	1.00	7/8
18	DFV1818	740	75	15.00	13.50	1.12	1.12	7/8
20	DFV2020	930	75	16.00	13.50	1.12	1.12	7/8
24	DFV2424	1,410	80	18.50	13.50	1.12	1.12	7/8
30	DFV3030	2,270	120	23.00	16.00	1.19	1.15	1
36	DFV3636	3,320	160	26.00	19.00	1.25	1.15	1
42	DFV4242	5,850	270	30.00	23.50	1.44	1.28	1 1/8
48	DFV4848	7,720	335	34.00	25.00	1.56	1.42	1 1/4



DFV

**REDUCING BASE TEES**

Size	Wt.	Item No.	R	S	T	U
4 x 3	70	DFV43	5.50	6.00	0.62	0.50
6 x 3	100	DFV63	7.00	7.00	0.69	0.62
6 x 4	105	DFV64	7.00	7.00	0.69	0.62
8 x 4	170	DFV84	8.38	9.00	0.94	0.88
8 x 6	187	DFV86	8.38	9.00	0.94	0.88
10 x 4	235	DFV104	9.75	9.00	0.94	0.88
10 x 6	245	DFV106	9.75	9.00	0.94	0.88
10 x 8	330	DFV108	9.75	9.00	0.94	0.88
12 x 4	335	DFV124	11.25	11.00	1.00	1.00
12 x 6	340	DFV126	11.25	11.00	1.00	1.00
12 x 8	355	DFV128	11.25	11.00	1.00	1.00
12 x 10	405	DFV1210	11.25	11.00	1.00	1.00
14 x 6	425	DFV146	12.50	11.00	1.00	1.00
14 x 8	440	DFV148	12.50	11.00	1.00	1.00
14 x 10	450	DFV1410	12.50	11.00	1.00	1.00
14 x 12	475	DFV1412	12.50	11.00	1.00	1.00
16 x 6	515	DFV166	13.75	11.00	1.00	1.00
16 x 8	525	DFV168	13.75	11.00	1.00	1.00
16 x 10	545	DFV1610	13.75	11.00	1.00	1.00
16 x 12	570	DFV1612	13.75	11.00	1.00	1.00
16 x 14	580	DFV1614	13.75	11.00	1.00	1.00
18 x 6	555	DFV186	15.00	13.50	1.12	1.12
18 x 8	570	DFV188	15.00	13.50	1.12	1.12
18 x 10	585	DFV1810	15.00	13.50	1.12	1.12
18 x 12	640	DFV1812	15.00	13.50	1.12	1.12
18 x 14	705	DFV1814	15.00	13.50	1.12	1.12
18 x 16	725	DFV1816	15.00	13.50	1.12	1.12
20 x 6	685	DFV206	16.00	13.50	1.12	1.12
20 x 8	695	DFV208	16.00	13.50	1.12	1.12
20 x 10	710	DFV2010	16.00	13.50	1.12	1.12
20 x 12	681	DFV2012	16.00	13.50	1.12	1.12



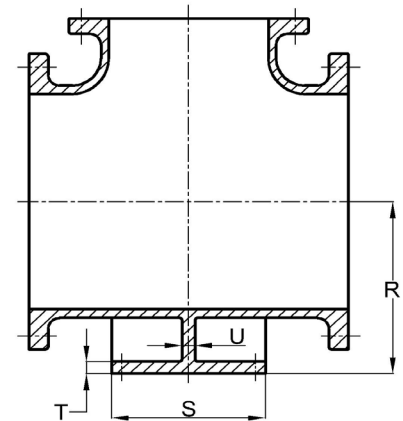
DFV


 Note: Cast Iron fittings available upon request  
 Weights in Pounds, Less Accessories / Dimensions in inches

# Flanged Fittings

## REDUCING BASE TEES (continued)

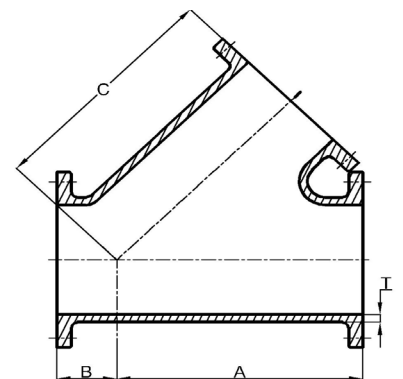
Size	Wt.	Item No.	R	S	T	U
20 x 14	740	DFV2014	16.00	13.50	1.12	1.12
20 x 16	885	DFV2016	16.00	13.50	1.12	1.12
20 x 18	895	DFV2018	16.00	13.50	1.12	1.12
24 x 6	925	DFV246	18.50	13.50	1.12	1.12
24 x 8	940	DFV248	18.50	13.50	1.12	1.12
24 x 10	960	DFV2410	18.50	13.50	1.12	1.12
24 x 12	970	DFV2412	18.50	13.50	1.12	1.12
24 x 14	980	DFV2414	18.50	13.50	1.12	1.12
24 x 16	993	DFV2416	18.50	13.50	1.12	1.12
24 x 18	1,300	DFV2418	18.50	13.50	1.12	1.12
24 x 20	1,335	DFV2420	18.50	13.50	1.12	1.12
30 x 6	1,344	DFV306	23.00	16.00	1.19	1.15
30 x 8	1,344	DFV308	23.00	16.00	1.19	1.15
30 x 12	1,610	DFV3012	23.00	16.00	1.19	1.15
30 x 14	1,610	DFV3014	23.00	16.00	1.19	1.15
30 x 16	1,622	DFV3016	23.00	16.00	1.19	1.15
30 x 18	1,635	DFV3018	23.00	16.00	1.19	1.15
30 x 20	1,660	DFV3020	23.00	16.00	1.19	1.15
30 x 24	2,145	DFV3024	23.00	16.00	1.19	1.15
36 x 12	2,027	DFV3612	26.00	19.00	1.25	1.15
36 x 14	2,335	DFV3614	26.00	19.00	1.25	1.15
36 x 16	2,345	DFV3616	26.00	19.00	1.25	1.15
36 x 18	2,350	DFV3618	26.00	19.00	1.25	1.15
36 x 20	2,370	DFV3620	26.00	19.00	1.25	1.15
36 x 24	2,415	DFV3624	26.00	19.00	1.25	1.15
36 x 30	3,160	DFV3630	26.00	19.00	1.25	1.15
42 x 12	3,435	DFV4212	30.00	23.50	1.44	1.28
42 x 14	3,440	DFV4214	30.00	23.50	1.44	1.28
42 x 16	3,450	DFV4216	30.00	23.50	1.44	1.28
42 x 18	3,455	DFV4218	30.00	23.50	1.44	1.28
42 x 20	3,475	DFV4220	30.00	23.50	1.44	1.28
42 x 24	3,515	DFV4224	30.00	23.50	1.44	1.28
42 x 30	4,395	DFV4230	30.00	23.50	1.44	1.28
42 x 36	4,630	DFV4236	30.00	23.50	1.44	1.28
48 x 12	4,650	DFV4812	34.00	25.00	1.56	1.42
48 x 14	4,650	DFV4814	34.00	25.00	1.56	1.42
48 x 16	4,665	DFV4816	34.00	25.00	1.56	1.42
48 x 18	4,665	DFV4818	34.00	25.00	1.56	1.42
48 x 20	4,685	DFV4820	34.00	25.00	1.56	1.42
48 x 24	4,720	DFV4824	34.00	25.00	1.56	1.42
48 x 30	4,970	DFV4830	34.00	25.00	1.56	1.42
48 x 36	5,890	DFV4836	34.00	25.00	1.56	1.42
48 x 42	6,055	DFV4842	34.00	25.00	1.56	1.42



DFV

## 45° LATERAL WYES

Size	Wt.	DUCTILE IRON Item No.	A	B	C	T
3	45	DFY33	10.00	3.00	10.00	0.48
4	75	DFY44	12.00	3.00	12.00	0.52
6	120	DFY66	14.50	3.50	14.50	0.55
8	200	DFY88	17.50	4.50	17.50	0.60
10	335	DFY1010	20.50	5.00	20.50	0.68
12	515	DFY1212	24.50	5.50	24.50	0.75
14	605	DFY1414	27.00	6.00	27.00	0.66
16	805	DFY1616	30.00	6.50	30.00	0.70
18	980	DFY1818	32.00	7.00	32.00	0.75
20	1,265	DFY2020	35.00	8.00	35.00	0.80
24	1,905	DFY2424	40.50	9.00	40.50	0.89
30	3,225	DFY3030	52.50	18.30	52.50	1.03
36	5,740	DFY3636	60.00	19.50	60.00	1.15
42	9,170	DFY4242	71.00	15.00	71.00	1.28
48	12,100	DFY4848	77.00	16.00	77.00	1.42
60		DFY6060	100.00	25.00	100.00	1.10



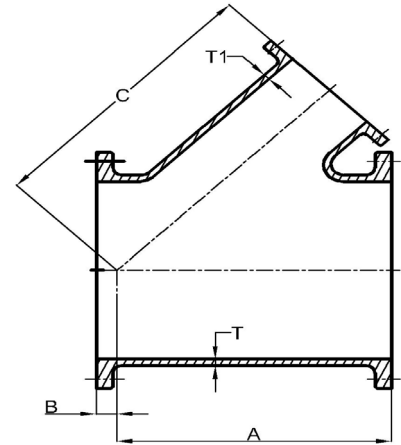
DFY

Note: Cast Iron fittings available upon request  
Weights in Pounds, Less Accessories / Dimensions in inches



**45° LATERAL REDUCING WYES**

Size	Wt.	DUCTILE IRON Item No.	A	B	C	T	T1
4 x 3	65	DFY43	12.00	3.00	12.00	0.52	0.48
6 x 3	100	DFY63	14.50	3.50	14.50	0.55	0.48
6 x 4	115	DFY64	14.50	3.50	14.50	0.55	0.52
8 x 4	180	DFY84	17.50	4.50	17.50	0.60	0.52
8 x 6	190	DFY86	17.50	4.50	17.50	0.60	0.55
10 x 4	260	DFY104	20.50	5.00	20.50	0.68	0.52
10 x 6	270	DFY106	20.50	5.00	20.50	0.68	0.55
10 x 8	295	DFY108	20.50	5.00	20.50	0.68	0.60
12 x 4	380	DFY124	24.50	5.50	24.50	0.75	0.52
12 x 6	395	DFY126	24.50	5.50	24.50	0.75	0.55
12 x 8	420	DFY128	24.50	5.50	24.50	0.75	0.60
12 x 10	455	DFY1210	24.50	5.50	24.50	0.75	0.68
14 x 4	505	DFY144	27.00	6.00	27.00	0.66	0.52
14 x 6	520	DFY146	27.00	6.00	27.00	0.66	0.55
14 x 8	545	DFY148	27.00	6.00	27.00	0.66	0.60
14 x 10	580	DFY1410	27.00	6.00	27.00	0.66	0.68
14 x 12	620	DFY1412	27.00	6.00	27.00	0.66	0.75
16 x 4	665	DFY164	27.00	6.00	27.00	0.70	0.52
16 x 6	680	DFY166	30.00	6.50	30.00	0.70	0.55
16 x 8	710	DFY168	30.00	6.50	30.00	0.70	0.60
16 x 10	740	DFY1610	30.00	6.50	30.00	0.70	0.68
16 x 12	785	DFY1612	30.00	6.50	30.00	0.70	0.75
16 x 14	830	DFY1614	30.00	6.50	30.00	0.70	0.66
18 x 4	275	DFY184	25.00	1.00	27.50	0.75	0.52
18 x 6	450	DFY186	25.00	1.00	27.50	0.75	0.55
18 x 8	625	DFY188	25.00	1.00	27.50	0.75	0.60
18 x 10	885	DFY1810	32.00	7.00	32.00	0.75	0.68
18 x 12	930	DFY1812	32.00	7.00	32.00	0.75	0.75
18 x 14	975	DFY1814	32.00	7.00	32.00	0.75	0.66
18 x 16	1,025	DFY1816	32.00	7.00	32.00	0.75	0.70
20 x 4	710	DFY204	27.00	1.00	29.50	0.80	0.52
20 x 6	720	DFY206	24.00	1.00	29.50	0.80	0.55
20 x 8	740	DFY208	29.00	1.00	29.50	0.80	0.60
20 x 10	805	DFY2010	27.00	1.00	29.50	0.80	0.68
20 x 12	1,110	DFY2012	35.00	8.00	35.00	0.80	0.75
20 x 14	1,215	DFY2014	35.00	8.00	35.00	0.80	0.66
20 x 16	1,270	DFY2016	35.00	8.00	35.00	0.80	0.70
20 x 18	1,315	DFY2018	35.00	8.00	35.00	0.80	0.75
24 x 4	790	DFY244	31.50	0.50	34.50	0.89	0.52
24 x 6	1,060	DFY246	31.50	0.50	34.50	0.89	0.55
24 x 8	1,080	DFY248	31.50	0.50	34.50	0.89	0.60
24 x 10	1,105	DFY2410	31.50	0.50	34.50	0.89	0.68
24 x 12	1,200	DFY2412	31.50	0.50	34.50	0.89	0.75
24 x 14	1,750	DFY2414	40.50	9.00	40.50	0.89	0.66
24 x 16	1,805	DFY2416	40.50	9.00	40.50	0.89	0.70
24 x 18	1,855	DFY2418	40.50	9.00	40.50	0.89	0.75
24 x 20	1,930	DFY2420	40.50	9.00	40.50	0.89	0.80
30 x 12	2,795	DFY3012	49.00	10.00	49.00	1.03	0.75
30 x 14	2,850	DFY3014	49.00	10.00	49.00	1.03	0.66
30 x 16	2,905	DFY3016	49.00	10.00	49.00	1.03	0.70
30 x 18	2,960	DFY3018	49.00	10.00	49.00	1.03	0.75
30 x 20	3,040	DFY3020	49.00	10.00	49.00	1.03	0.80
30 x 24	3,205	DFY3024	49.00	10.00	49.00	1.03	0.89
36 x 12	4,490	DFY3612	60.00	19.50	60.00	1.15	0.75
36 x 14	4,545	DFY3614	60.00	19.50	60.00	1.15	0.66
36 x 16	4,455	DFY3616	54.00	15.30	54.00	1.15	0.70
36 x 18	4,505	DFY3618	54.00	15.30	54.00	1.15	0.75
36 x 20	4,575	DFY3620	54.00	15.30	54.00	1.15	0.80
36 x 24	4,725	DFY3624	54.00	15.30	54.00	1.15	0.89
36 x 30	5,200	DFY3630	56.00	15.30	56.00	1.15	1.03
42 x 12	5,725	DFY4212	68.50	21.00	68.50	1.28	0.75
42 x 14	5,800	DFY4214	68.50	21.00	68.50	1.28	0.66
42 x 16	5,850	DFY4216	68.50	21.00	68.50	1.28	0.70
42 x 18	6,000	DFY4218	68.50	21.00	68.50	1.28	0.75
42 x 20	6,110	DFY4220	60.00	12.00	60.00	1.28	0.80
42 x 24	6,255	DFY4224	60.00	12.00	60.00	1.28	0.89
42 x 30	6,855	DFY4230	63.00	12.00	63.00	1.28	1.03
42 x 36	7,650	DFY4236	66.00	12.00	66.00	1.28	1.15
48 x 12	7,200	DFY4812	77.00	22.50	77.00	1.42	0.75



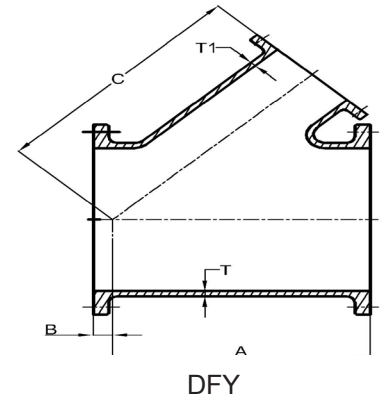
DFY


 Note: Cast Iron fittings available upon request  
 Weights in Pounds, Less Accessories / Dimensions in inches

# Flanged Fittings

## 45° LATERAL REDUCING WYES (continued)

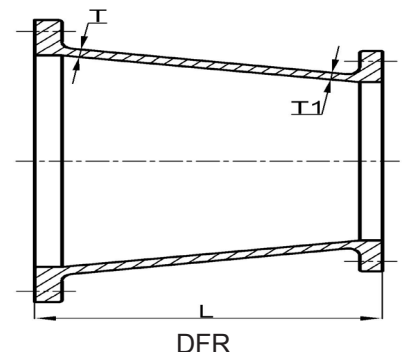
Size	Wt.	DUCTILE IRON Item No.	A	B	C	T	T1
48 x 14	7,275	DFY4814	77.00	22.50	77.00	1.42	0.66
48 x 16	7,400	DFY4816	77.00	22.60	77.00	1.42	0.70
48 x 18	7,620	DFY4818	65.00	9.00	65.00	1.42	0.75
48 x 20	7,685	DFY4820	65.00	9.00	65.00	1.42	0.80
48 x 24	6,840	DFY4824	58.00	5.00	64.00	1.42	0.89
48 x 30	8,015	DFY4830	63.00	9.00	68.00	1.42	1.03
48 x 36	8,970	DFY4836	69.00	7.00	72.00	1.42	1.15
48 x 42	11,010	DFY4842	77.00	12.00	77.00	1.42	1.28
54 x 36		DFY5436	78.00	12.00	78.00	1.05	0.77
54 x 42		DFY5442	80.00	12.00	80.00	0.90	0.82
60 x 36		DFY6036	80.00	12.00	80.00	0.94	0.66
64 x 36		DFY6436	100.00	10.00	105.00	1.16	0.77



## CONCENTRIC REDUCERS

Size	Wt.	DUCTILE IRON Item No.	L	T	T1
2 1/2 x 2		DFR252	6.00	0.48	0.31
3 x 2	16	DFR32	6.00	0.48	0.31
3 x 2 1/2	21	DFR325	6.00	0.48	0.31
4 x 2	25	DFR42	7.00	0.52	0.31
4 x 2 1/2	28	DFR425	7.00	0.52	0.31
4 x 3	30	DFR43	7.00	0.52	0.48
6 x 2	35	DFR62	9.00	0.55	0.31
6 x 2 1/2	38	DFR625	9.00	0.55	0.31
6 x 3	40	DFR63	9.00	0.55	0.48
6 x 4	45	DFR64	9.00	0.55	0.52
6 x 5	51	DFR65	9.00	0.55	0.52
8 x 4	65	DFR84	11.00	0.60	0.52
8 x 5	70	DFR85	11.00	0.60	0.52
8 x 6	75	DFR86	11.00	0.60	0.55
10 x 4	85	DFR104	12.00	0.68	0.52
10 x 6	90	DFR106	12.00	0.68	0.55
10 x 8	110	DFR108	12.00	0.68	0.60
12 x 4	120	DFR124	14.00	0.75	0.52
12 x 6	130	DFR126	14.00	0.75	0.55
12 x 8	145	DFR128	14.00	0.75	0.60
12 x 10	170	DFR1210	14.00	0.75	0.68
14 x 6	155	DFR146	16.00	0.66	0.55
14 x 8	175	DFR148	16.00	0.66	0.60
14 x 10	190	DFR1410	16.00	0.66	0.68
14 x 12	220	DFR1412	16.00	0.66	0.75
16x6	190	DFR166	18.00	0.70	0.55
16 x 8	210	DFR168	18.00	0.70	0.60
16 x 10	235	DFR1610	18.00	0.70	0.68
16 x 12	265	DFR1612	18.00	0.70	0.75
16 x 14	280	DFR1614	18.00	0.70	0.66
18 x 6		DFR186	19.00	0.75	0.55
18 x 8	240	DFR188	19.00	0.75	0.60
18 x 10	265	DFR1810	19.00	0.75	0.68
18 x 12	295	DFR1812	19.00	0.75	0.75
18 x 14	310	DFR1814	19.00	0.75	0.66
18 x 16	340	DFR1816	19.00	0.75	0.70
20 x 6		DFR206	20.00	0.80	0.55
20 x 8		DFR208	20.00	0.80	0.60
20 x 10	310	DFR2010	20.00	0.80	0.68
20 x 12	345	DFR2012	20.00	0.80	0.75
20 x 14	355	DFR2014	20.00	0.80	0.66
20 x 16	390	DFR2016	20.00	0.80	0.70
20 x 18	410	DFR2018	20.00	0.80	0.75
24 x 6		DFR246	24.00	0.89	0.55
24 x 10		DFR2410	24.00	0.89	0.68
24 x 12	480	DFR2412	24.00	0.89	0.75
24 x 14	490	DFR2414	24.00	0.89	0.66
24 x 16	525	DFR2416	24.00	0.89	0.70

Size	Wt.	DUCTILE IRON Item No.	L	T	T1
24 x 18	550	DFR2418	24.00	0.89	0.75
24 x 20	590	DFR2420	24.00	0.89	0.80
30 x 6		DFR306	30.00	1.03	0.55
30 x 16		DFR3016	30.00	1.03	0.70
30 x 18	810	DFR3018	30.00	1.03	0.75
30 x 20	870	DFR3020	30.00	1.03	0.80
30 x 24	970	DFR3024	30.00	1.03	0.89
36 x 14		DFR3614	36.00	1.15	0.66
36 x 16		DFR3616	36.00	1.15	0.70
36 x 18		DFR3618	36.00	1.15	0.75
36 x 20	1,230	DFR3620	36.00	1.15	0.80
36 x 24	1,345	DFR3624	36.00	1.15	0.89
36 x 30	1,555	DFR3630	36.00	1.15	1.03
42 x 24	1,820	DFR4224	42.00	1.28	0.89
42 x 30	2,060	DFR4230	42.00	1.28	1.03
42 x 36	2,345	DFR4236	42.00	1.28	1.15
48 x 14		DFR4814	48.00	1.42	0.66
48 x 24		DFR4824	48.00	1.42	0.89
48 x 30	2,625	DFR4830	48.00	1.42	1.03
48 x 36	2,950	DFR4836	48.00	1.42	1.15
48 x 42	3,320	DFR4842	48.00	1.42	1.28
54 x 36		DFR5436	28.00	0.90	0.66
54 x 48	5,330	DFR5448	64.00	1.62	1.42
60 x 36		DFR6036	32.00	0.94	0.66
60 x 48		DFR6048	32.00	0.94	0.80
60 x 54		DFR6054	15.00	0.94	0.90
72 x 36		DFR7236	40.00	1.40	1.15
72 x 48		DFR7248	40.00	1.40	1.40
72 x 54		DFR7254	40.00	1.40	0.90



Note: Cast Iron fittings available upon request  
Weights in Pounds, Less Accessories / Dimensions in inches  
16 | SIGMA Corporation www.sigmaco.com





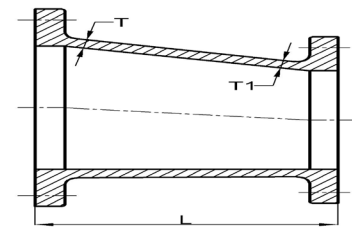
**ECCENTRIC REDUCERS**

Size	Wt.	DUCTILE IRON Item No.	L	T	T1
3 x 2	16	DFE32	6.00	0.48	0.31
3 x 2 1/2	21	DFE325	6.00	0.48	0.31
4 x 2	25	DFE42	7.00	0.52	0.31
4 x 2 1/2	28	DFE425	7.00	0.52	0.31
4 x 3	30	DFE43	7.00	0.52	0.48
6 x 2	35	DFE62	9.00	0.55	0.31
6 x 2 1/2	38	DFE625	9.00	0.55	0.31
6 x 3	40	DFE63	9.00	0.55	0.48
6 x 4	45	DFE64	9.00	0.55	0.52
6 x 5	51	DFE65	9.00	0.55	0.52
8 x 4	65	DFE84	11.00	0.60	0.52
8 x 5	70	DFE85	11.00	0.60	0.52
8 x 6	75	DFE86	11.00	0.60	0.55
10 x 4	85	DFE104	12.00	0.68	0.52
10 x 6	90	DFE106	12.00	0.68	0.55
10 x 8	110	DFE108	12.00	0.68	0.60
12 x 4	120	DFE124	14.00	0.75	0.52
12 x 6	130	DFE126	14.00	0.75	0.55
12 x 8	145	DFE128	14.00	0.75	0.60
12 x 10	170	DFE1210	14.00	0.75	0.68
14 x 6	155	DFE146	16.00	0.66	0.55
14 x 8	175	DFE148	16.00	0.66	0.60
14 x 10	190	DFE1410	16.00	0.66	0.68
14 x 12	220	DFE1412	16.00	0.66	0.75
16 x 6	190	DFE166	18.00	0.70	0.55
16 x 8	210	DFE168	18.00	0.70	0.60
16 x 10	235	DFE1610	18.00	0.70	0.68
16 x 12	265	DFE1612	18.00	0.70	0.75
16 x 14	280	DFE1614	18.00	0.70	0.66
18 x 6		DFE186	19.00	0.75	0.55
18 x 8	240	DFE188	19.00	0.75	0.60
18 x 10	265	DFE1810	19.00	0.75	0.68
18 x 12	295	DFE1812	19.00	0.75	0.75
18 x 14	310	DFE1814	19.00	0.75	0.66
18 x 16	340	DFE1816	19.00	0.75	0.70
20 X 6		DFE206	20.00	0.75	0.55
20 X 8		DFE208	20.00	0.75	0.60
20 x 10	310	DFE2010	20.00	0.80	0.68
20 x 12	345	DFE2012	20.00	0.80	0.75
20 x 14	355	DFE2014	20.00	0.80	0.66

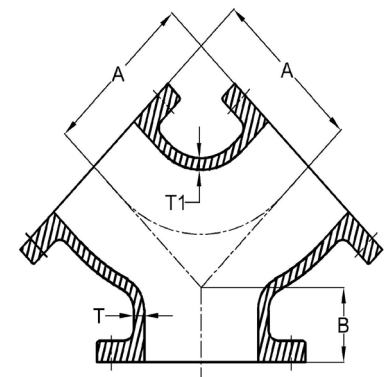
Size	Wt.	DUCTILE IRON Item No.	L	T	T1
20 x 16	390	DFE2016	20.00	0.80	0.70
20 x 18	410	DFE2018	20.00	0.80	0.75
24 x 8		DFE248	24.00	0.89	0.60
24 x 12	480	DFE2412	24.00	0.89	0.75
24 x 14	490	DFE2414	24.00	0.89	0.66
24 x 16	525	DFE2416	24.00	0.89	0.70
24 x 18	550	DFE2418	24.00	0.89	0.75
24 x 20	590	DFE2420	24.00	0.89	0.80
30 x 10		DFE3010	30.00	1.03	0.68
30 x 12		DFE3012	30.00	1.03	0.75
30 x 16		DFE3616	30.00	1.03	0.70
30 x 18	810	DFE3018	30.00	1.03	0.75
30 x 20	870	DFE3020	30.00	1.03	0.80
30 x 24	970	DFE3024	30.00	1.03	0.89
36 x 10		DFE3610	36.00	1.15	0.68
36 x 16		DFE3616	36.00	1.15	0.70
36 x 20	1,230	DFE3620	36.00	1.15	0.80
36 x 24	1,345	DFE3624	36.00	1.15	0.89
36 x 30	1,555	DFE3630	36.00	1.15	1.03
42 x 24	1,820	DFE4224	42.00	1.28	0.89
42 x 30	2,060	DFE4230	42.00	1.28	1.03
42 x 36	2,345	DFE4236	42.00	1.28	1.15
48 x 30	2,625	DFE4830	48.00	1.42	1.03
48 x 36	2,950	DFE4836	48.00	1.42	1.15
48 x 42	3,320	DFE4842	48.00	1.42	1.28
54 x 24		DFE5424	32.00	0.90	0.61
54 x 30		DFE5430	32.00	0.90	0.61
54 x 36		DFE5436	28.00	0.90	0.66
54 x 42		DFE5442	25.00	0.90	0.76
54 x 48		DFE5448	18.00	0.90	0.80
60 x 36		DFE6036	32.00	1.50	1.15
60 x 48		DFE6048	20.00	0.94	0.80

**TRUE WYES**

Size	Wt.	DUCTILE IRON Item No.	A	B	T	T1
3x3	30	DFW33	5.50	3.00	0.48	0.48
4x4	55	DFW44	6.50	3.00	0.52	0.52
6x4	60	DFW64	6.50	3.50	0.55	0.52
6x6	85	DFW66	8.00	3.50	0.55	0.55
8x6	100	DFW86	8.00	4.50	0.60	0.55
8x8	140	DFW88	9.00	4.50	0.60	0.60
10 x 8	155	DFW108	9.00	5.00	0.68	0.60
10 x 10	185	DFW1010	11.00	5.00	0.68	0.68
12 x 8	210	DFW128	9.00	5.50	0.75	0.60
12 x 10		DFW1210	12.00	5.50	0.75	0.68
12 x 12	300	DFW1212	12.00	5.50	0.75	0.75
14 x 14	435	DFW1414	14.00	6.00	0.66	0.66
16 x 16	580	DFW1616	15.00	6.50	0.70	0.70
18 x 18	680	DFW1818	16.50	7.00	0.75	0.75
20 x 20	960	DFW2020	18.00	8.00	0.80	0.80
24 x 24	1,370	DFW2424	22.00	9.00	0.89	0.89
30 x 18	1,185	DFW3018	25.00	10.00	1.03	0.75
30 x 20	1,210	DFW3020	25.00	10.00	1.03	0.80
30 x 24	1,585	DFW3024	25.00	10.00	1.03	0.89
30 x 30	2,630	DFW3030	25.00	10.00	1.03	1.03
36 x 24	2,080	DFW3624	28.00	12.00	1.15	0.89
36 x 30	2,655	DFW3630	28.00	15.00	1.15	1.03
36 x 36	3,470	DFW3636	28.00	15.00	1.15	1.15
42 x 30	3,410	DFW4230	31.00	11.75	1.28	1.03
42 x 36	4,205	DFW4236	31.00	19.00	1.28	1.15
42 x 42	5,235	DFW4242	31.00	21.00	1.28	1.28
48 x 36	4,415	DFW4836	28.00	14.00	1.42	1.15
48 x 48	6,565	DFW4848	34.00	18.00	1.42	1.42



DFE



DFW

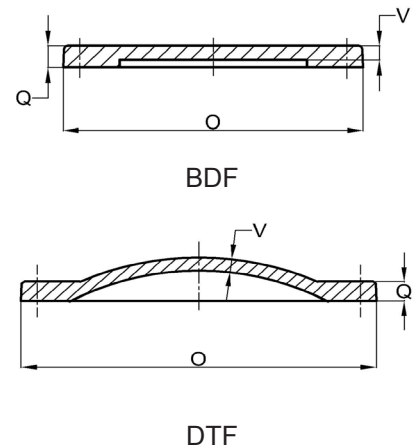
Note: Cast Iron fittings available upon request  
 Weights in Pounds, Less Accessories / Dimensions in  
 SIGMA Corporation www.sigmaco.com | 17



# Flanged Fittings

## BLIND FLANGES

Size	Weight	DUCTILE IRON		O	Q	V
		Solid	Tapped			
2		BDF2		6.00	0.62	0.31
2.5		BDF25		7.00	0.69	0.48
3	9	BDF3	DTF3	7.50	0.75	0.69
4	14	BDF4	DTF4	9.00	0.94	0.88
6	24	BDF6	DTF6	11.00	1.00	0.94
8	38	BDF8	DTF8	13.50	1.12	1.06
10	59	BDF10	DTF10	16.00	1.19	1.12
12	76	BDF12	DTF12	19.00	1.25	0.81
14	110	BDF14	DTF14	21.00	1.38	0.88
16	145	BDF16	DTF16	23.50	1.44	1.00
18	185	BDF18	DTF18	25.00	1.56	1.06
20	217	BDF20	DTF20	27.50	1.69	1.12
24	370	BDF24	DTF24	32.00	1.88	1.25
30	500	BDF30	DTF30	38.75	2.12	1.44
36	790	BDF36	DTF36	46.00	2.38	1.62
42	1,175	BDF42	DTF42	53.00	2.62	1.81
48	1,585	BDF48	DTF48	59.50	2.75	2.00
54	2,600	BDF54	DTF54	66.25	3.00	2.25
60		BDF60		73.00	3.12	2.50
64		BDF64		80.00	3.38	2.56
72		BDF72		86.50	3.50	2.56
96		BDF96		113.25	4.25	3.20

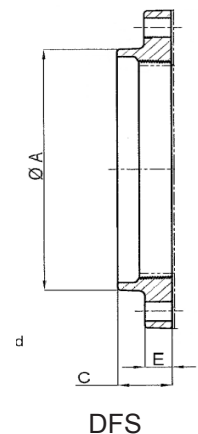


## SLUDGE SHOES

Size	Weight	Item No.	A Bolt Circle	Bolt Hole Diameter	B
3	25	CFS3	5.75	7/8	12.00
4	35	CFS4	6	7/8	12.00
6	45	CFS6	8	7/8	12.00
8	65	CFS8	10	7/8	12.00
10	85	CFS10	12.25	1.00	12.00
12	120	CFS12	14.5	1.00	12.00

## THREADED FLANGES

Size	Wt.	Item No.	C	E	A	Item No.	Wt.	C	E	A
3	7	DF3	1.935	0.75	4.50	DF3-S	7.00	1.63	0.75	4.50
4	12	DF4	2.065	0.94	5.32	DF4-S	12.00	1.69	0.94	5.32
6	16.5	DF6	2.255	1.00	7.56	DF6-S	16.50	1.94	1.00	7.56
8	25	DF8	2.435	1.12	9.73	DF8-S	25.00	2.25	1.12	9.73
10	35	DF10	2.625	1.19	12.06	DF10-S	35.00	2.38	1.19	12.06
12	55	DF12	2.875	1.25	14.16	DF12-S	55.00	2.50	1.25	14.16
14	63	DF14	3.065	1.38	16.25	DF14-S	63.00	2.63	1.38	21.00
16	81	DF16	3.255	1.44	18.44	DF16-S	81.00	2.63	1.44	23.50
18	89	DF18	3.505	1.56	20.53	DF18-S	89.00	3.50	1.56	25.00
20	109	DF20	3.685	1.69	22.63	DF20-S	109.00	3.69	1.69	27.50
24	154	DF24	4.125	1.88	26.82	DF24-S	154.00	4.12	1.88	32.00
30	215	DF30	4.69	2.12	32.75	DF30-S	237.00	4.69	2.12	38.75
36	324	DF36	5.31	2.38	39.12	DF36-S	350.00	5.31	2.38	46.00
42	534	DF42	5.94	2.63	45.31	DF42-S	493.00	5.94	2.62	53.00
48	650	DF48	6.57	2.75	51.75	DF48-S	610.00	6.57	2.75	59.50
54	762	DF54	7.19	3.00	58.75	DF54-S	726.00	7.19	3.00	66.25
60	1,055	DF60	7.19	3.12	63.76	DF60-S		7.19	3.12	73.00
64	1,200	DF64	7.19	3.38	70.32	DF64-S				

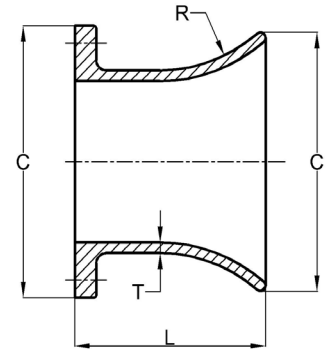


Note: Cast Iron fittings available upon request  
Weights in Pounds, Less Accessories / Dimensions in inches



**STRAIGHT FLARE PIECES**

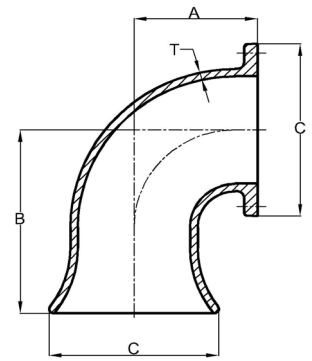
Size	Wt	DUCTILE IRON Item No.	T	C	L	R
3	20	DFA3	0.48	7.50	8.00	6.00
4	30	DFA4	0.52	9.00	8.00	6.00
6	40	DFA6	0.55	11.00	8.00	6.00
8	70	DFA8	0.60	13.50	10.00	8.00
10	95	DFA10	0.68	16.00	10.00	10.00
12	155	DFA12	0.75	19.00	12.00	12.00
14	165	DFA14	0.66	21.00	12.00	14.00
16	240	DFA16	0.70	23.50	14.00	16.00
18	275	DFA18	0.75	25.00	14.00	18.00
20	355	DFA20	0.80	27.50	13.00	20.00
24	480	DFA24	0.89	32.00	16.00	24.00
30	1,100	DFA30	1.03	38.75	15.00	30.00
36	1,460	DFA36	1.15	46.00	14.00	36.00
42	1,750	DFA42	1.28	53.00	12.00	42.00
48	2,375	DFA48	1.42	59.50	18.00	48.00



DFA

**90 DEGREE FLARE BENDS**

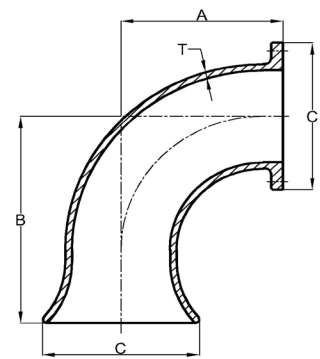
Size	Wt	DUCTILE IRON Item No.	T	C	A	B
3	30	DFE390	0.48	7.50	5.50	11.00
4	45	DFE490	0.52	9.00	6.50	12.00
6	75	DFE690	0.55	11.00	8.00	12.00
8	120	DFE890	0.60	13.50	9.00	14.00
10	195	DFE1090	0.68	16.00	11.00	17.00
12	275	DFE1290	0.75	19.00	12.00	18.00
14	310	DFE1490	0.66	21.00	14.00	21.50
16	395	DFE1690	0.70	23.50	15.00	23.00
18	495	DFE1890	0.75	25.00	16.50	25.00
20	630	DFE2090	0.80	27.50	18.00	27.00
24	995	DFE2490	0.89	32.00	22.00	32.50
30	1,970	DFE3090	1.03	38.75	25.00	36.00
36	2,730	DFE3690	1.15	46.00	28.00	38.00
42	3,200	DFE4290	1.28	53.00	31.00	35.00
48	5,235	DFE4890	1.42	59.50	34.00	46.00
54		DFE5490	0.90	66.25	39.00	47.50
60		DFE6090	0.94	73.00	43.00	54.00



DFF

**90 DEGREE FLARE LONG RADIUS BENDS**

Size	Wt	DUCTILE IRON Item No.	T	C	A	B
4	50	DFG490	0.52	9.00	9.00	14.50
6	90	DFG690	0.55	11.00	11.50	15.50
8	155	DFG890	0.60	13.50	14.00	19.00
10	250	DFG1090	0.68	16.00	16.50	22.50
12	375	DFG1290	0.75	19.00	19.00	25.00
14	400	DFG1490	0.66	21.00	21.50	29.00
16	530	DFG1690	0.70	23.50	24.00	32.00
18	675	DFG1890	0.75	25.00	26.50	35.00
20	865	DFG2090	0.80	27.50	29.00	38.00
24	1,335	DFG2490	0.89	32.00	34.00	44.50
30	2,190	DFG3090	1.03	38.75	41.50	48.50
36	3,465	DFG3690	1.15	46.00	49.00	56.00
42	5,150	DFG4290	1.28	53.00	56.50	63.50
48	6,725	DFG4890	1.42	59.50	64.00	71.00

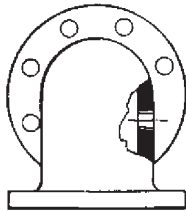


DFG

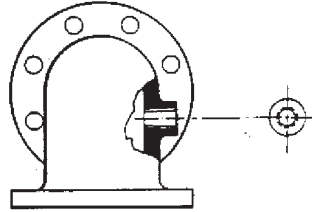


# Flanged Fittings

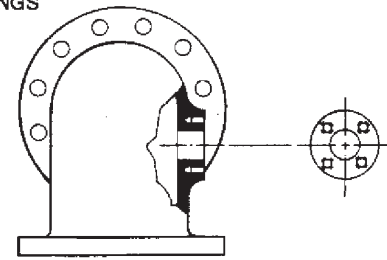
## BOSS AND TAP LOCATIONS METHOD OF DESIGNATING LOCATION OF TAPPED HOLES AND/OR BOSSES IN CAST IRON FLANGED FITTINGS



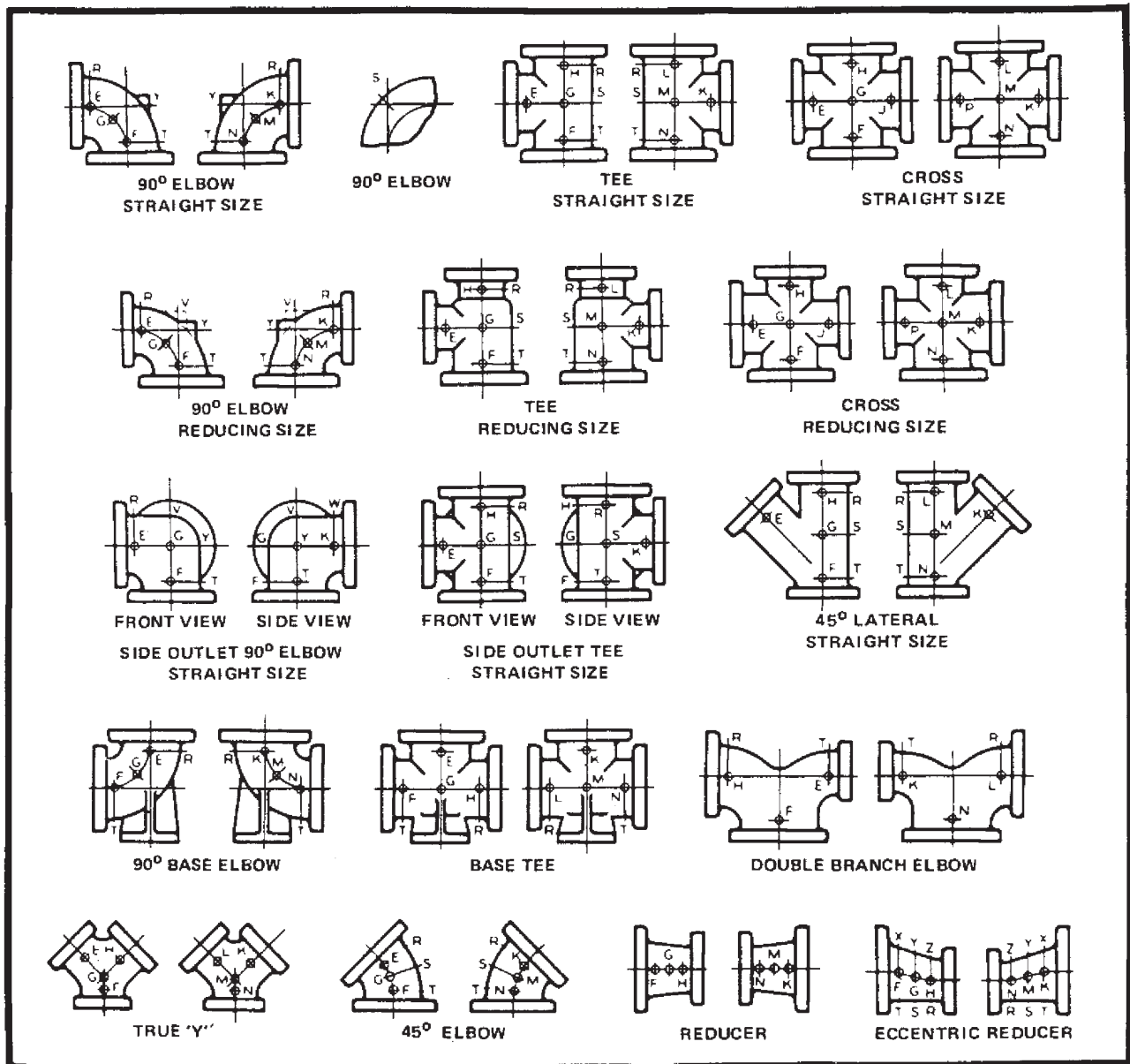
TAPPED HOLE THROUGH WALL



REGULAR BOSS WITH PIPE TAP



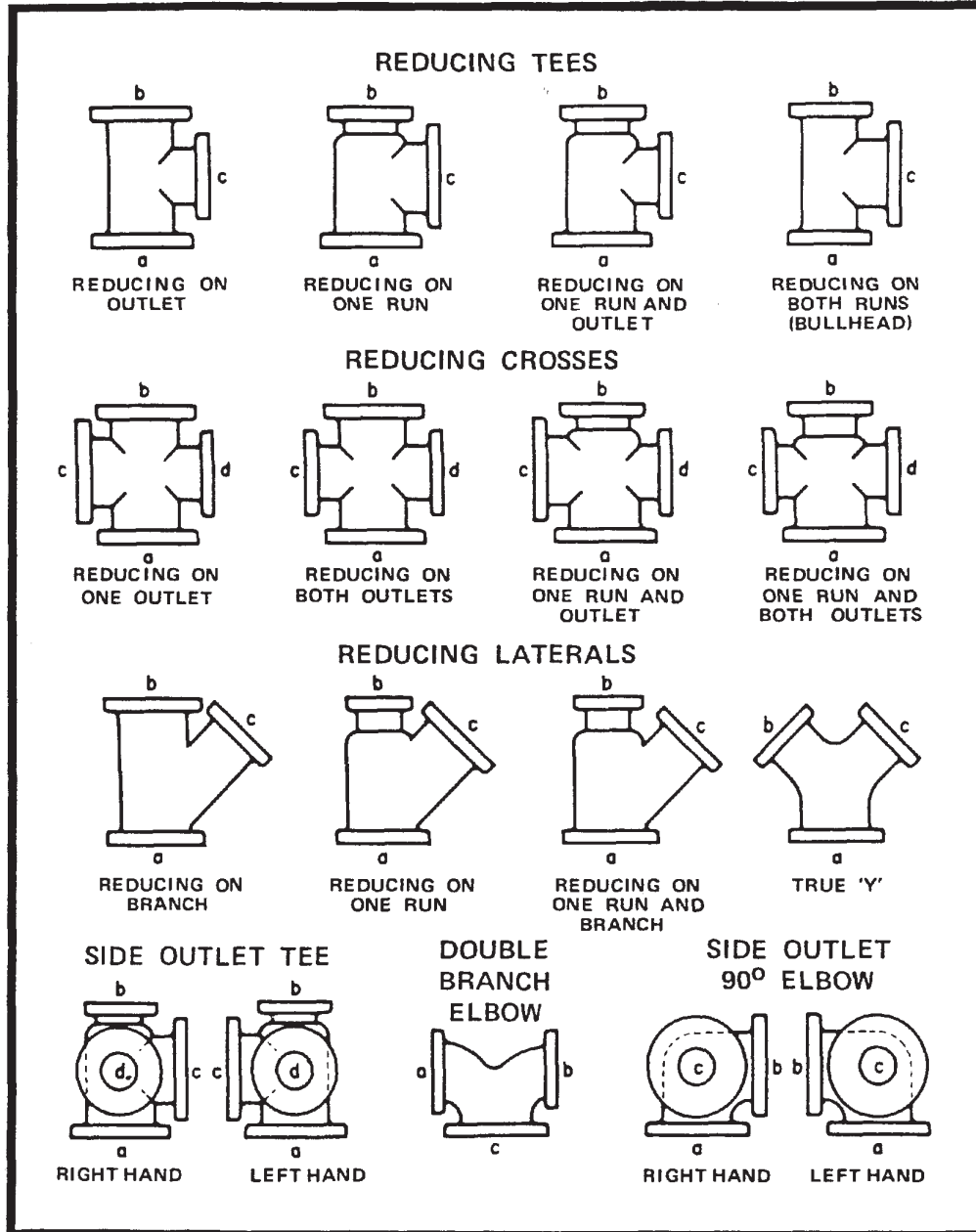
FLANGE BOSS WITH BLIND TAPPED HOLES



The illustrations show two views of the same fitting and represent fittings with symmetrical shapes, with the exception of the side outlet elbow and the side outlet tee.

When a cast iron flanged fitting is wanted with a tapped connection, give the size of the tapping required, and designate its location by means of a letter selected from the correct view of the fitting in question

## DESIGNATION OF OUTLETS



The largest opening establishes the basic size of a reducing fitting. The largest opening is named first, except for bull head tees, which are reducing on both runs and for double branch elbows where both branches are reducing. The outlet is the largest opening and named last in both cases.

In designating the openings of reducing fittings, they should be read in the order indicated by the sequence of the letters; a, b, c, and d. In designating the outlets of side outlet reducing fittings, the side outlet is named last. In the case of the cross, which is not shown, the side outlet is designated by the letter e.



# Flanged Fittings

## C110 Flanged Fittings Non-Standard Items:

Item #	Description
•DFB105	C110 DI 10" X 5" FLG X FLG 5-5/8 DEGREE BEND
•DFB2430	C110 DI 24" X 30" FLG X FLG 30 DEGREE BEND
•DFB2460	C110 DI 24" X 24" FLG X FLG 60 DEGREE BEND
•DFB4180	C110 DI 4" X 4" FLG X FLG 180 DEGREE RETURN BEND
•DFB54	C110 DI 5" X 4" FLG X FLG REDUCING BEND
•DFB6180	C110 DI 6" X 6" FLG X FLG 180 DEGREE RETURN BEND
•DFB8180	C110 DI 8" X 8" FLG X FLG 180 DEGREE RETURN BEND
•DFB83	C110 DI 8" X 3" FLG X FLG REDUCING BEND
•DFC3610	C110 DI 36" X 10" FLG X FLG CROSS
•DFC8886	C110 DI 8" X 8" X 8" X 6" FLG X FLG X FLG X FLG CR
•DFL124	C110 DI 12" X 4" FLG X FLG REDUCING LR BEND
•DFL1445	C110 DI 14" FLG x FLG 45 DEGREE LR BEND
•DFL1645	C110 DI 16" FLG x FLG 45 DEGREE LR BEND
•DFL1845	C110 DI 18" FLG x FLG 45 DEGREE LR BEND
•DFL2045	C110 DI 20" FLG x FLG 45 DEGREE LR BEND
•DFL2445	C110 DI 24" FLG x FLG 45 DEGREE LR BEND
•DFL311	C110 DI 3" FLG x FLG 11-1/4 DEGREE LR BEND
•DFL54	C110 DI 5" X 4" FLG X FLG REDUCING LR BEND
•DFL65	C110 DI 6" X 5" FLG X FLG REDUCING LR BEND
•DFL85	C110 DI 8" X 5" FLG X FLG REDUCING LR BEND
•DFT2525	C110 DI 25" X 25" FLG X FLG TEE
•DFT3010	C110 DI 30" X 10" FLG X FLG TEE
•DFT306	C110 DI 30" X 6" FLG X FLG TEE
•DFT308	C110 DI 30" X 8" FLG X FLG TEE
•DFT343	C110 DI 3" X 4" X 3" FLG X FLG X FLG TEE
•DFT3610	C110 DI 36" X 10" FLG X FLG TEE
•DFT52	C110 DI 5" X 2" FLG X FLG TEE
•DFT53	C110 DI 5" X 3" FLG X FLG TEE
•DFT54	C110 DI 5" X 4" FLG X FLG TEE
•DFT544	C110 DI 5" X 4" X 4" FLG X FLG X FLG TEE
•DFT643	C110 DI 6" X 4" X 3" FLG X FLG X FLG TEE
•DFT644	C110 DI 6" X 4" X 4" FLG X FLG X FLG TEE
•DFT646	C110 DI 6" X 4" X 6" FLG X FLG X FLG TEE
•DFT65	C110 DI 6" X 5" FLG X FLG TEE
•DFT85	C110 DI 8" X 5" FLG X FLG TEE
•DFD128	C110 DI 12" X 8" FLG X FLG 90 DEGREE BASE BEND
•DFD1816	C110 DI 18" X 16" FLG X FLG 90 DEGREE BASE BEND
•DFD2012	C110 DI 20" X 12" FLG X FLG 90 DEGREE BASE BEND
•DFD2016	C110 DI 20" X 16" FLG X FLG 90 DEGREE BASE BEND
•DFD2412	C110 DI 24" X 12" FLG X FLG 90 DEGREE BASE BEND
•DFD2416	C110 DI 24" X 16" FLG X FLG 90 DEGREE BASE BEND
•DFD2418	C110 DI 24" X 18" FLG X FLG 90 DEGREE BASE BEND
•DFD3018	C110 DI 30" X 18" FLG X FLG 90 DEGREE BASE BEND
•DFD3020	C110 DI 30" X 20" FLG X FLG 90 DEGREE BASE BEND

Note: Contact SIGMA for more information on non-standard fittings

